



EZLB SERVICE ENTRANCE CONDUIT BODY

ITEM#: EZLB200

PRODUCT DESCRIPTION:

Specialty service entrance conduit body

APPLICATION:

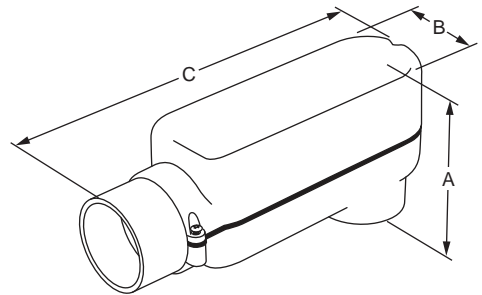
Caps overhead service entrance

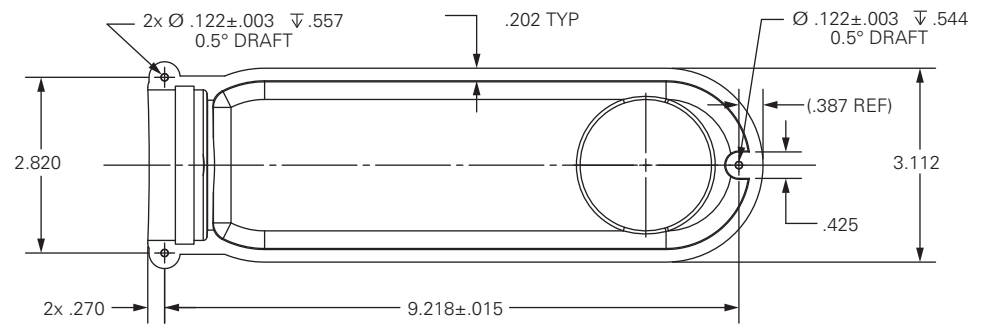
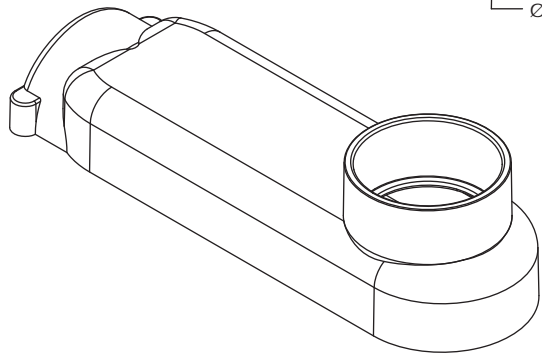
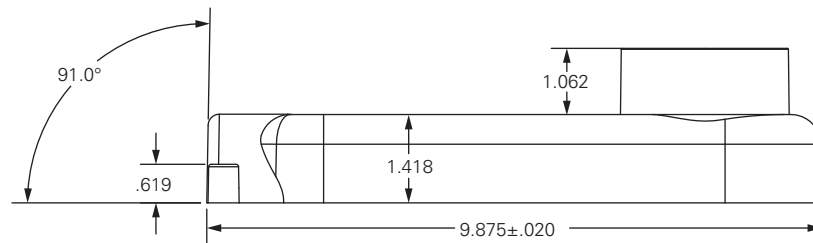
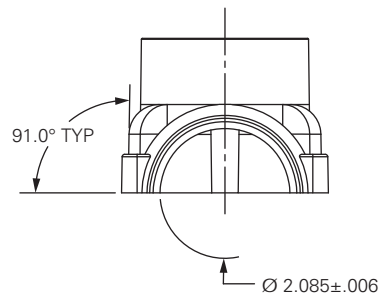
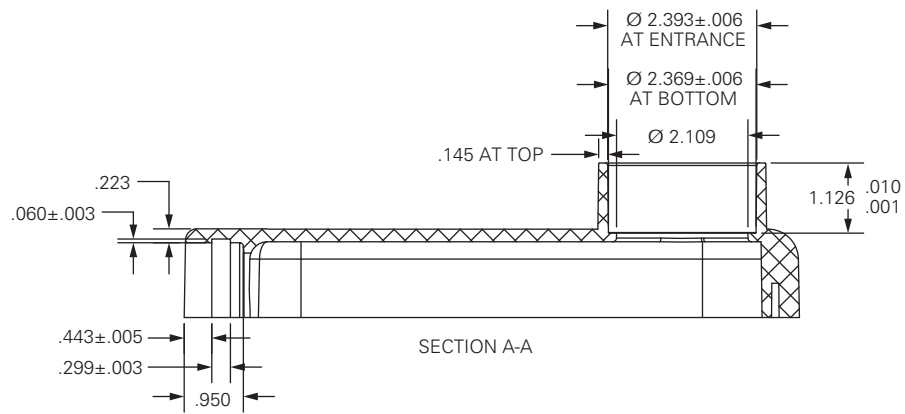
FEATURES:

Patented 3 Piece design allows plenty of room to maneuver wire into place. Split body design eliminates pinch points. Design allows easy installation and eliminates wire damage. Includes 2" collar to connect to PVC conduit. Includes gasket for wet locations.



ITEM #:	EZLB200
UPC:	784297023071
COUNTRY OF ORIGIN:	USA
MATERIAL:	PVC
TRADE SIZE:	2 in.
MASTER CARTON QTY:	2
MASTER WEIGHT:	3.10 lbs.
MASTER HEIGHT:	6.75 in.
MASTER WIDTH:	5.25 in.
MASTER DEPTH:	11.75 in.
INNER CARTON QTY:	N/A
INNER WEIGHT:	N/A
INNER HEIGHT:	N/A
INNER WIDTH:	N/A
INNER DEPTH:	N/A
ITEM WEIGHT:	1.55 lbs.
ITEM HEIGHT (A):	4.75 in.
ITEM WIDTH (B):	3.00 in.
ITEM DEPTH (C):	11.38 in.
TYPE OF INSTALLATION:	New Work
CERTIFICATIONS:	UL Listed





NOTES

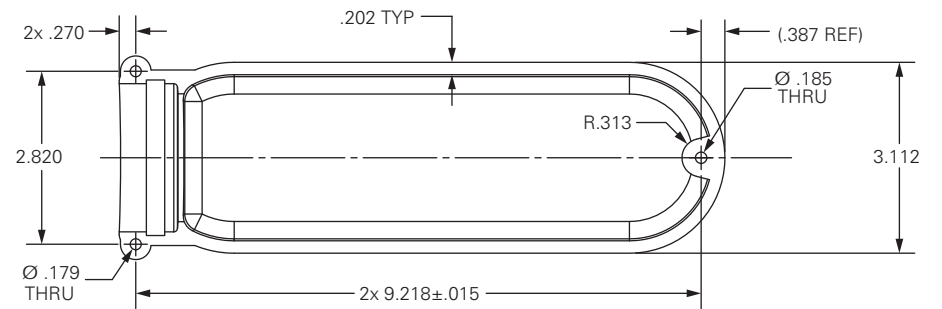
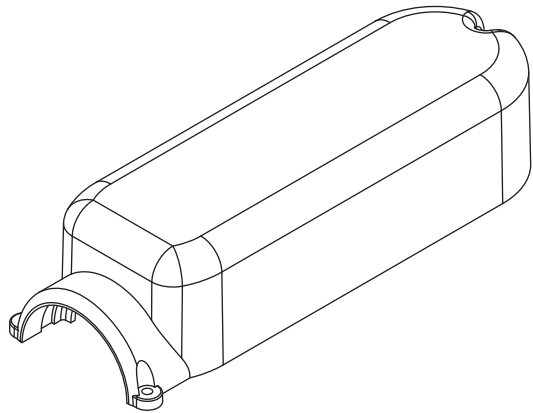
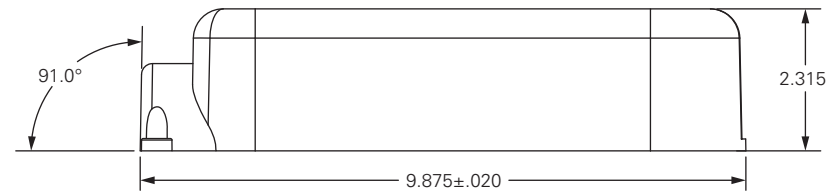
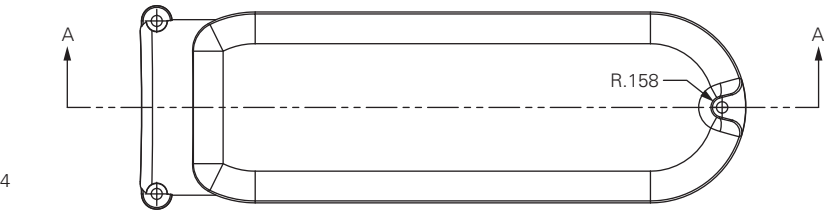
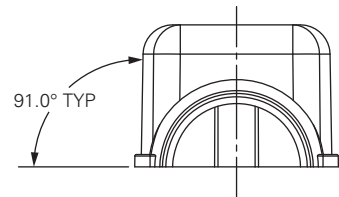
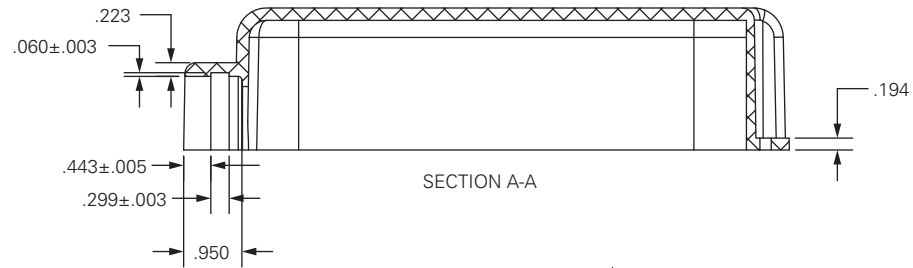
1. MATERIAL: PVC
2. UL LISTED
3. DIMENSIONS ARE IN INCHES

PROPRIETARY & CONFIDENTIAL
 THE INFORMATION CONTAINED IN THIS DRAWING IS THE SOLE PROPERTY OF MADISON ELECTRIC PRODUCTS, INC. ANY REPRODUCTION IN PART OR AS A WHOLE WITHOUT THE WRITTEN PERMISSION OF MADISON ELECTRIC PRODUCTS, INC. IS PROHIBITED.

ME MADISON ELECTRIC
 meproducts.net

TITLE: **EZLB - BOTTOM**

PART NO. **EZLB200**



NOTES

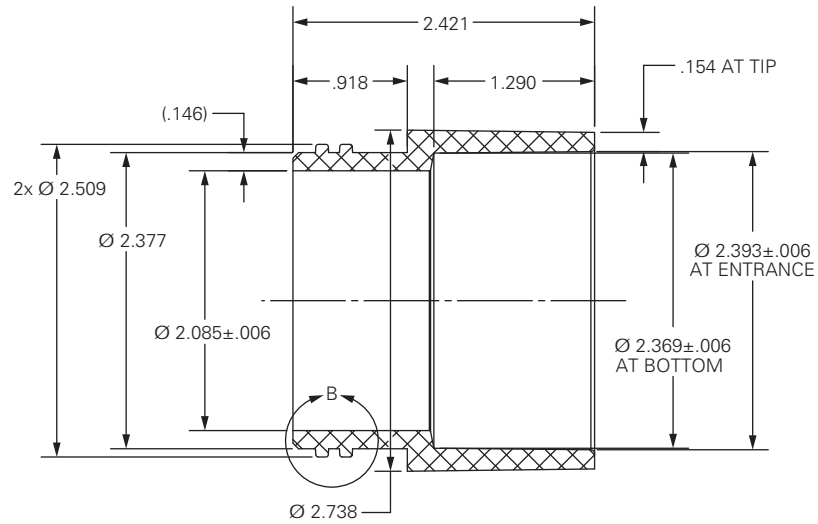
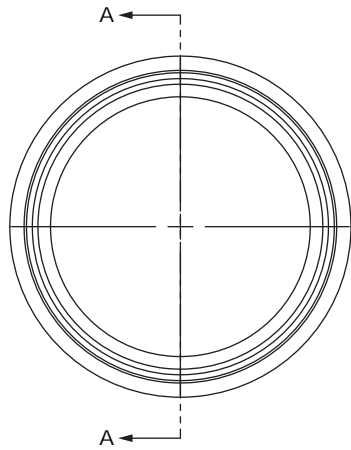
1. MATERIAL: PVC
2. UL LISTED
3. DIMENSIONS ARE IN INCHES

PROPRIETARY & CONFIDENTIAL
 THE INFORMATION CONTAINED IN THIS DRAWING IS THE SOLE PROPERTY OF MADISON ELECTRIC PRODUCTS, INC. ANY REPRODUCTION IN PART OR AS A WHOLE WITHOUT THE WRITTEN PERMISSION OF MADISON ELECTRIC PRODUCTS, INC. IS PROHIBITED.

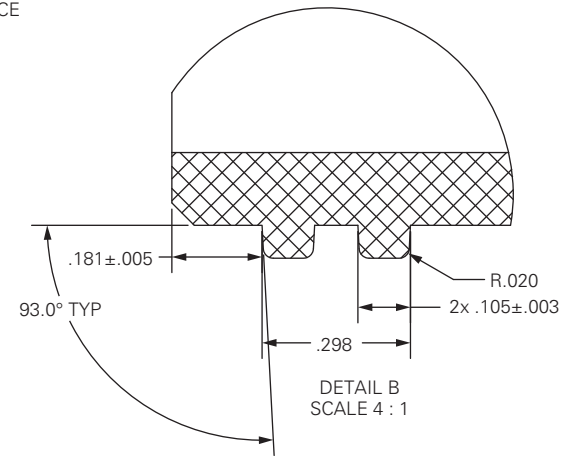
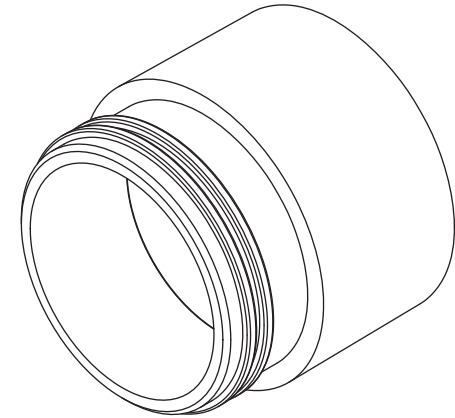
ME MADISON ELECTRIC
 meproducts.net

TITLE: **EZLB - TOP**

PART NO. **EZLB200**



SECTION A-A



NOTES

1. MATERIAL: PVC
2. UL LISTED
3. DIMENSIONS ARE IN INCHES

PROPRIETARY & CONFIDENTIAL

THE INFORMATION CONTAINED IN THIS DRAWING IS THE SOLE PROPERTY OF MADISON ELECTRIC PRODUCTS, INC. ANY REPRODUCTION IN PART OR AS A WHOLE WITHOUT THE WRITTEN PERMISSION OF MADISON ELECTRIC PRODUCTS, INC. IS PROHIBITED.



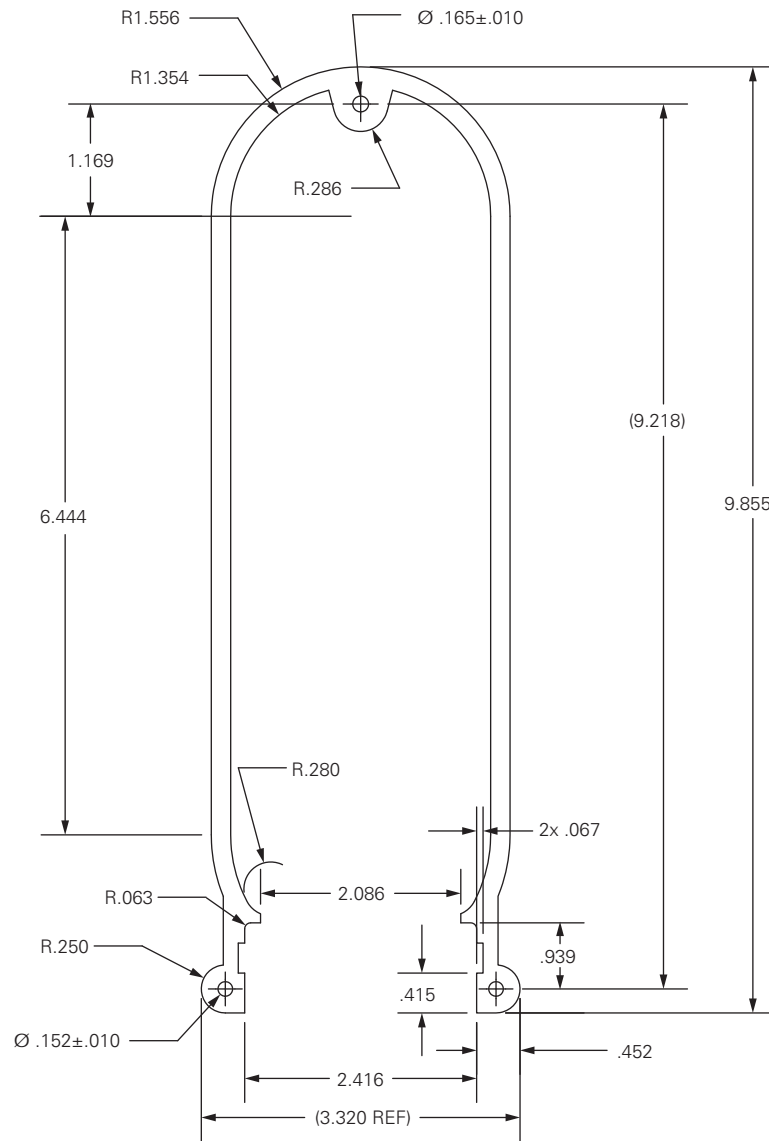
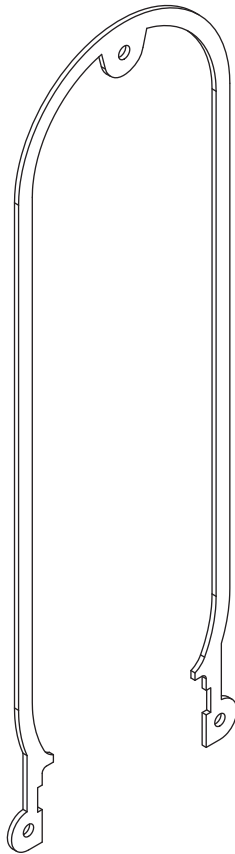
MADISON ELECTRIC
meproducts.net

TITLE:

EZLB - PORT

PART NO.

EZLB200



NOTES

1. MATERIAL: FOAM
2. UL LISTED
3. DIMENSIONS ARE IN INCHES

PROPRIETARY & CONFIDENTIAL
 THE INFORMATION CONTAINED IN THIS DRAWING IS THE SOLE PROPERTY OF MADISON ELECTRIC PRODUCTS, INC. ANY REPRODUCTION IN PART OR AS A WHOLE WITHOUT THE WRITTEN PERMISSION OF MADISON ELECTRIC PRODUCTS, INC. IS PROHIBITED.



MADISON ELECTRIC
 meproducts.net

TITLE:

EZLB - GASKET

PART NO.

EZLB200