



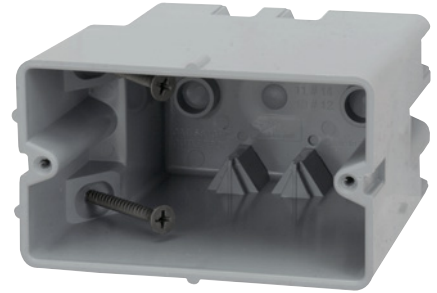
# SMART BOX ORIGINAL 1 GANG HORIZONTAL DEVICE BOX

ITEM#: MSBHZ

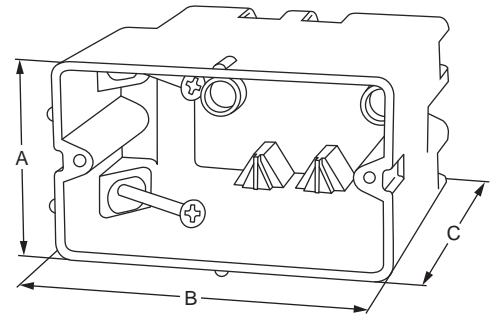
**PRODUCT DESCRIPTION:**  
1 Gang Horizontal Device Box

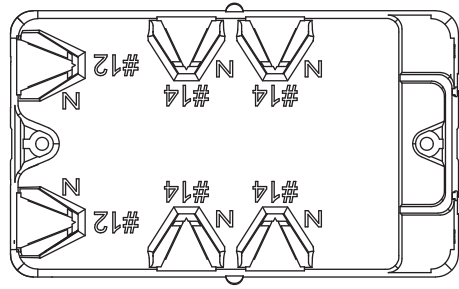
**APPLICATION:**  
Mounts horizontally to wood or metal stud for new work and retrofit with adjustable depth capability

**FEATURES:**  
Mounts horizontally. Depth adjustable. Step down feature allows for wire entrance in both top and bottom of box. Mounts to wood or 25 gauge metal stud. Extra thick PVC wall material creates stability and rigidity. Built-in wire clamps. All 6/32 device holes are threaded. Heavy-duty mounting screws supplied.

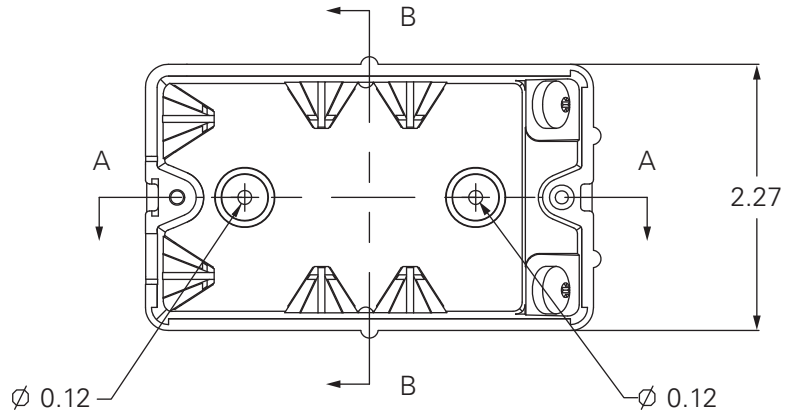
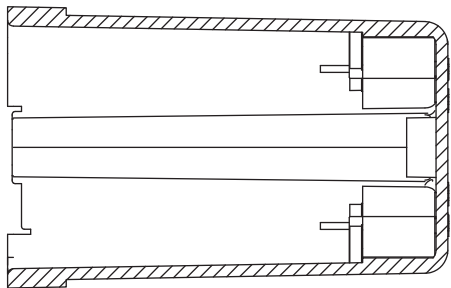


<b>ITEM #:</b>	MSBHZ
<b>UPC:</b>	784297017674
<b>COUNTRY OF ORIGIN:</b>	China
<b>MATERIAL:</b>	PVC
<b>TRADE SIZE:</b>	1 Gang
<b>MASTER CARTON QTY:</b>	24
<b>MASTER WEIGHT:</b>	7.60 lbs.
<b>MASTER HEIGHT:</b>	8.88 in.
<b>MASTER WIDTH:</b>	8.25 in.
<b>MASTER DEPTH:</b>	15.25 in.
<b>ITEM WEIGHT:</b>	0.32 lbs.
<b>ITEM HEIGHT (A):</b>	2.27 in.
<b>ITEM WIDTH (B):</b>	3.82 in.
<b>ITEM DEPTH (C):</b>	3.75 in.
<b>VOLUME:</b>	22.50 cu. in.
<b>TYPE OF INSTALLATION:</b>	New Work & Old Work
<b>CERTIFICATIONS:</b>	UL Listed E205857, UL Fire Rated/Classified for 2 hour wall, RoHS Compliant

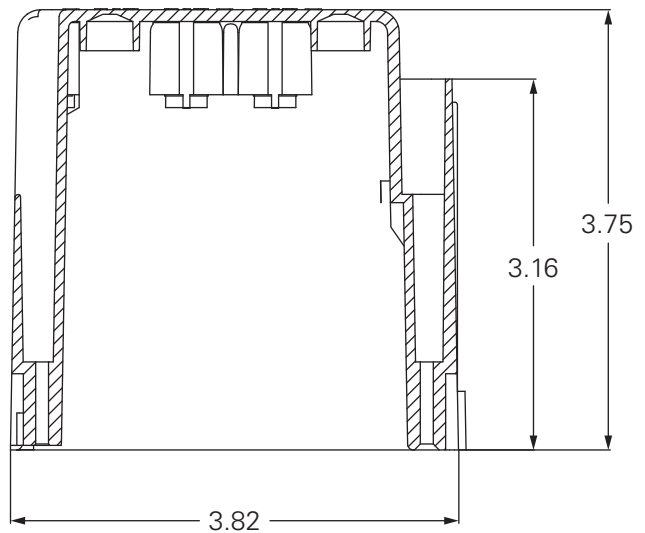




SECTION B - B



SECTION A - A



**NOTES**

1. BOX MATERIAL: PVC
2. UL LISTED
3. DIMENSIONS ARE IN INCHES

**PROPRIETARY & CONFIDENTIAL**

THE INFORMATION CONTAINED IN THIS DRAWING IS THE SOLE PROPERTY OF MADISON ELECTRIC PRODUCTS, INC. ANY REPRODUCTION IN PART OR AS A WHOLE WITHOUT THE WRITTEN PERMISSION OF MADISON ELECTRIC PRODUCTS, INC. IS PROHIBITED.



MADISON ELECTRIC  
meproducts.net

TITLE:

**SMART BOX  
1 GANG HORIZONTAL**

PART NO.

**MSBHZ**