



SMART BOX ORIGINAL 1 GANG DEVICE BOX

ITEM#: MSB1G

PRODUCT DESCRIPTION:

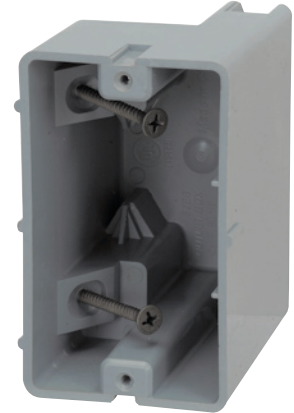
1 Gang Device Box

APPLICATION:

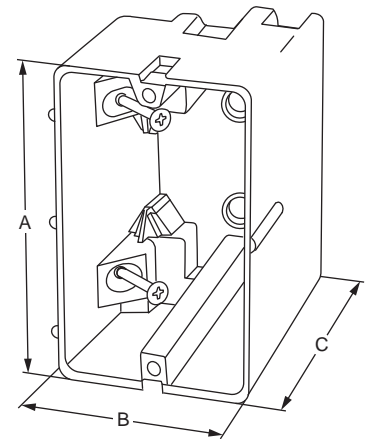
Mounts to wood or metal stud for new work and retrofit with adjustable depth capability

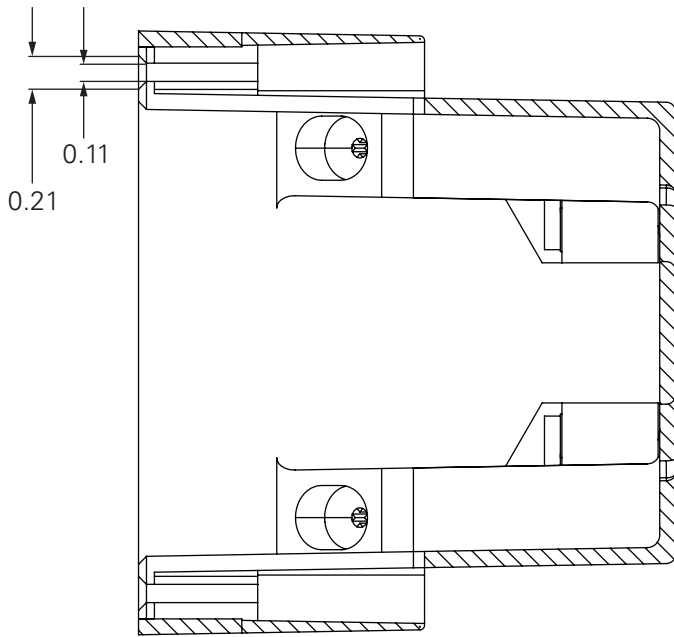
FEATURES:

Depth adjustable. Step down feature allows for wire entrance in both top and bottom of box. Mounts to wood or 25 gauge metal stud. Extra thick PVC wall material creates stability and rigidity. Built-in wire clamps. All 6/32 device holes are threaded. Heavy-duty mounting screws supplied.

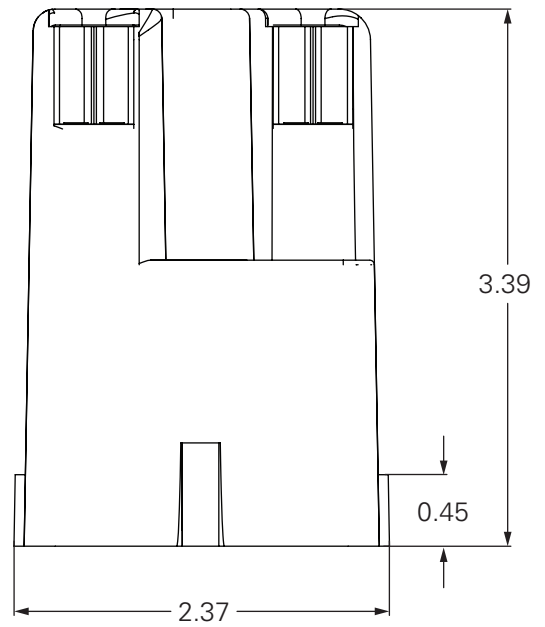
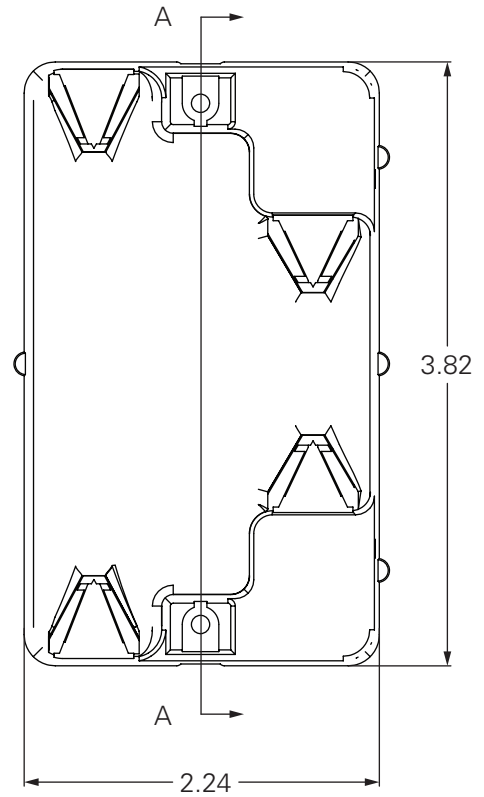


ITEM #:	MSB1G
UPC:	784297017629
COUNTRY OF ORIGIN:	China
MATERIAL:	PVC
TRADE SIZE:	1 Gang
MASTER CARTON QTY:	24
MASTER WEIGHT:	7.30 lbs.
MASTER HEIGHT:	7.00 in.
MASTER WIDTH:	8.25 in.
MASTER DEPTH:	15.25 in.
ITEM WEIGHT:	0.30 lbs.
ITEM HEIGHT (A):	3.82 in.
ITEM WIDTH (B):	2.24 in.
ITEM DEPTH (C):	3.39 in.
VOLUME:	18.50 cu. in.
TYPE OF INSTALLATION:	New Work & Old Work
CERTIFICATIONS:	UL Listed E205857, UL Fire Rated/Classified for 2 hour wall, RoHS Compliant





SECTION A - A



NOTES

1. BOX MATERIAL: PVC
2. UL LISTED
3. DIMENSIONS ARE IN INCHES

PROPRIETARY & CONFIDENTIAL

THE INFORMATION CONTAINED IN THIS DRAWING IS THE SOLE PROPERTY OF MADISON ELECTRIC PRODUCTS, INC. ANY REPRODUCTION IN PART OR AS A WHOLE WITHOUT THE WRITTEN PERMISSION OF MADISON ELECTRIC PRODUCTS, INC. IS PROHIBITED.



MADISON ELECTRIC
meproducts.net

TITLE:

**SMART BOX
1 GANG ORIGINAL**

PART NO.

MSB1G



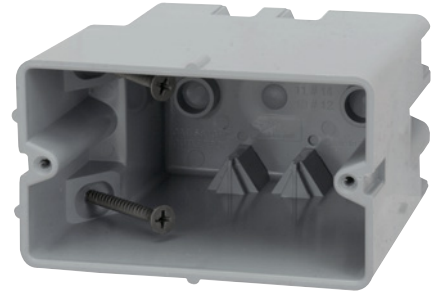
SMART BOX ORIGINAL 1 GANG HORIZONTAL DEVICE BOX

ITEM#: MSBHZ

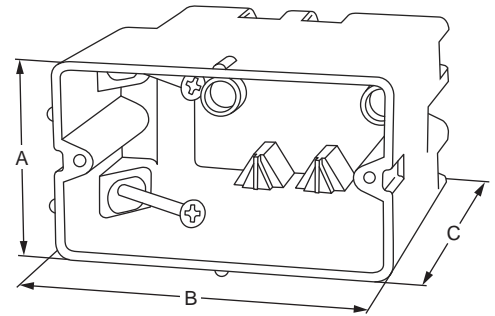
PRODUCT DESCRIPTION:
1 Gang Horizontal Device Box

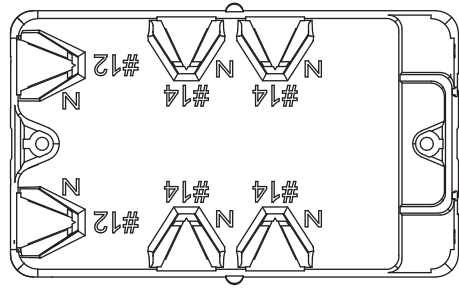
APPLICATION:
Mounts horizontally to wood or metal stud for new work and retrofit with adjustable depth capability

FEATURES:
Mounts horizontally. Depth adjustable. Step down feature allows for wire entrance in both top and bottom of box. Mounts to wood or 25 gauge metal stud. Extra thick PVC wall material creates stability and rigidity. Built-in wire clamps. All 6/32 device holes are threaded. Heavy-duty mounting screws supplied.

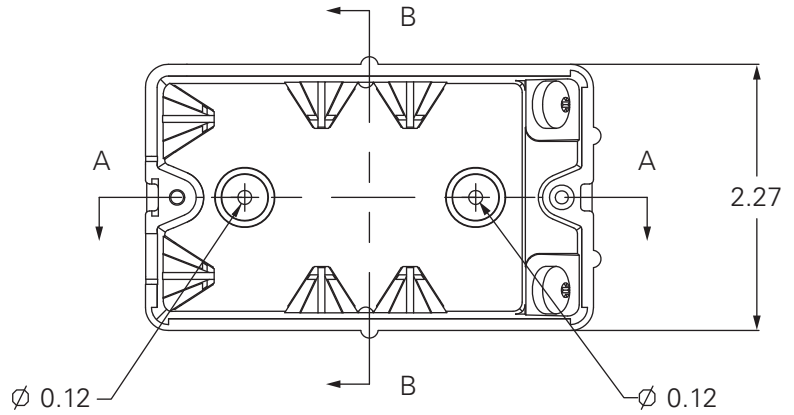
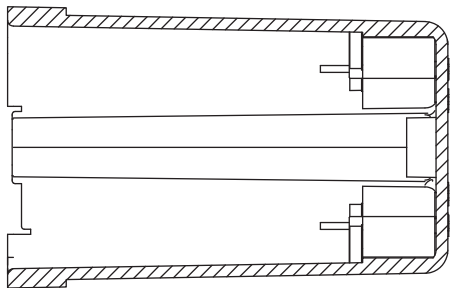


ITEM #:	MSBHZ
UPC:	784297017674
COUNTRY OF ORIGIN:	China
MATERIAL:	PVC
TRADE SIZE:	1 Gang
MASTER CARTON QTY:	24
MASTER WEIGHT:	7.60 lbs.
MASTER HEIGHT:	8.88 in.
MASTER WIDTH:	8.25 in.
MASTER DEPTH:	15.25 in.
ITEM WEIGHT:	0.32 lbs.
ITEM HEIGHT (A):	2.27 in.
ITEM WIDTH (B):	3.82 in.
ITEM DEPTH (C):	3.75 in.
VOLUME:	22.50 cu. in.
TYPE OF INSTALLATION:	New Work & Old Work
CERTIFICATIONS:	UL Listed E205857, UL Fire Rated/Classified for 2 hour wall, RoHS Compliant

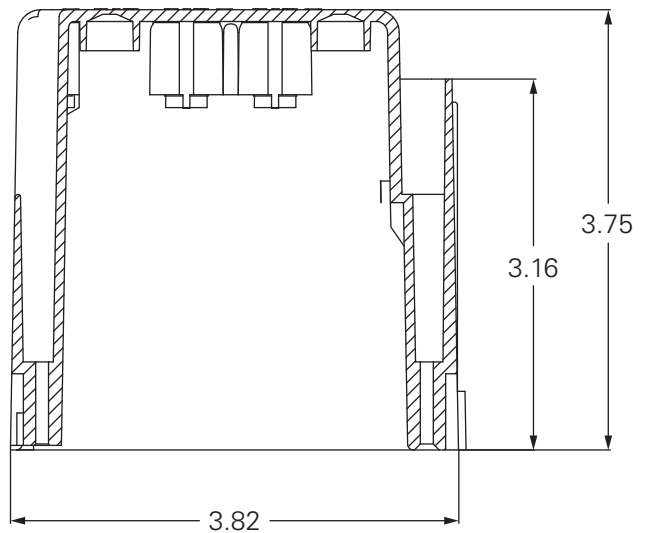




SECTION B - B



SECTION A - A



NOTES

1. BOX MATERIAL: PVC
2. UL LISTED
3. DIMENSIONS ARE IN INCHES

PROPRIETARY & CONFIDENTIAL

THE INFORMATION CONTAINED IN THIS DRAWING IS THE SOLE PROPERTY OF MADISON ELECTRIC PRODUCTS, INC. ANY REPRODUCTION IN PART OR AS A WHOLE WITHOUT THE WRITTEN PERMISSION OF MADISON ELECTRIC PRODUCTS, INC. IS PROHIBITED.



MADISON ELECTRIC
meproducts.net

TITLE:

**SMART BOX
1 GANG HORIZONTAL**

PART NO.

MSBHZ



SMART BOX ORIGINAL 1 GANG PLUS DEVICE BOX

ITEM#: MSB22+

PRODUCT DESCRIPTION:

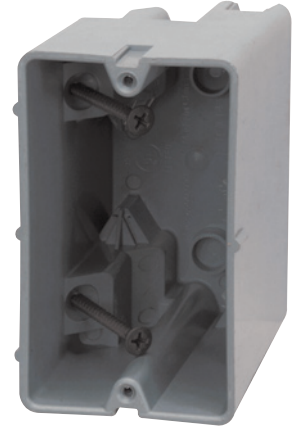
1 Gang Plus Device Box

APPLICATION:

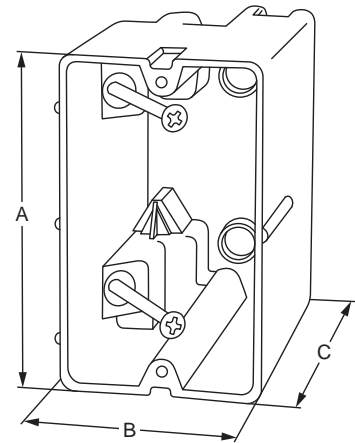
Mounts to wood or metal stud for new work and retrofit with adjustable depth capability where extra capacity is needed

FEATURES:

Depth adjustable. Step down feature allows for wire entrance in both top and bottom of box. Mounts to wood or 25 gauge metal stud. Extra thick PVC wall material creates stability and rigidity. Built-in wire clamps. All 6/32 device holes are threaded. Heavy-duty mounting screws supplied.

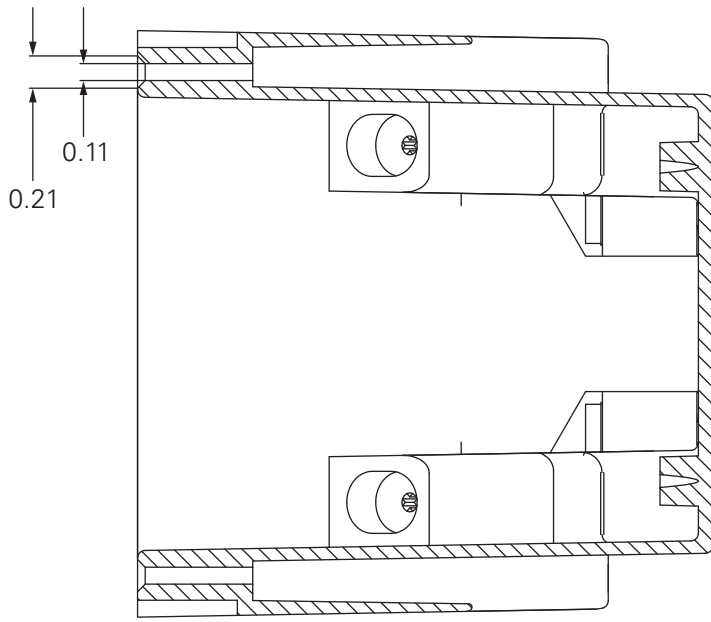


ITEM #:	MSB22+
UPC:	784297017636
COUNTRY OF ORIGIN:	China
MATERIAL:	PVC
TRADE SIZE:	1 Gang
MASTER CARTON QTY:	24
MASTER WEIGHT:	7.45 lbs.
MASTER HEIGHT:	7.88 in.
MASTER WIDTH:	8.25 in.
MASTER DEPTH:	15.13 in.
ITEM WEIGHT:	0.31 lbs.
ITEM HEIGHT (A):	3.82 in.
ITEM WIDTH (B):	2.27 in.
ITEM DEPTH (C):	3.76 in.
VOLUME:	22.50 cu. in.
TYPE OF INSTALLATION:	New Work & Old Work
CERTIFICATIONS:	UL Listed E205857, UL Fire Rated/Classified for 2 hour wall, RoHS Compliant

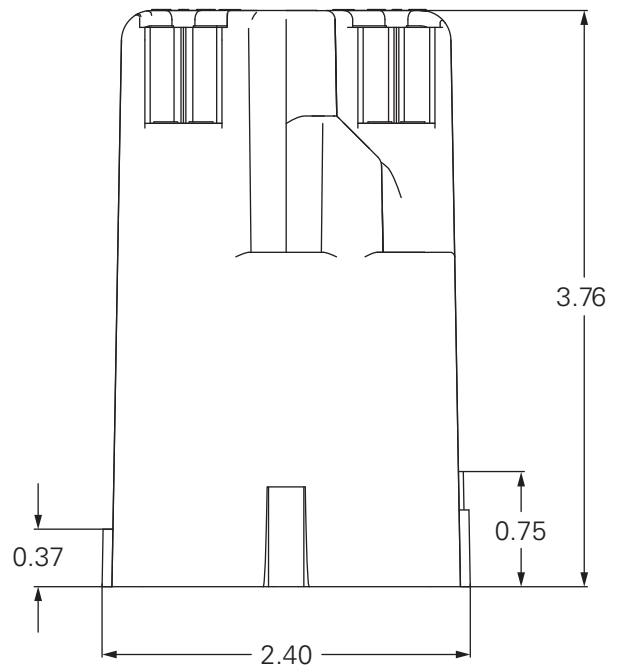
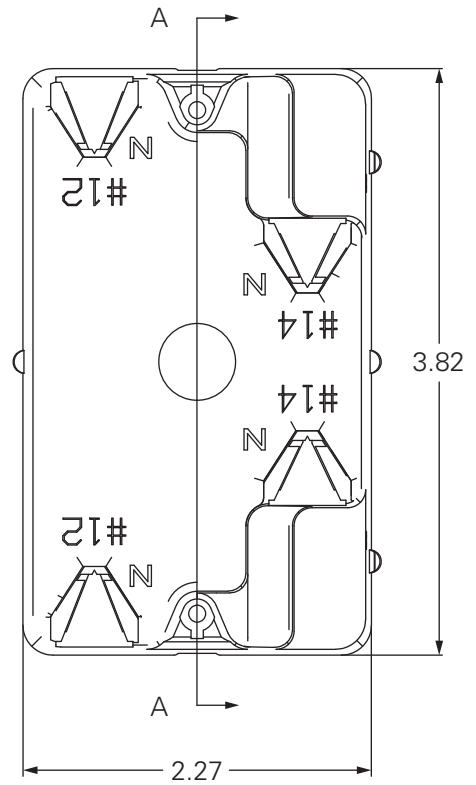


ME products.net





SECTION A - A



NOTES

1. BOX MATERIAL: PVC
2. UL LISTED
3. DIMENSIONS ARE IN INCHES

PROPRIETARY & CONFIDENTIAL

THE INFORMATION CONTAINED IN THIS DRAWING IS THE SOLE PROPERTY OF MADISON ELECTRIC PRODUCTS, INC. ANY REPRODUCTION IN PART OR AS A WHOLE WITHOUT THE WRITTEN PERMISSION OF MADISON ELECTRIC PRODUCTS, INC. IS PROHIBITED.



MADISON ELECTRIC
meproducts.net

TITLE:

**SMART BOX
1 GANG PLUS 22.5/CU**

PART NO.

MSB22+



SMART BOX ORIGINAL 2 GANG DEVICE BOX

ITEM#: MSB2G

PRODUCT DESCRIPTION:

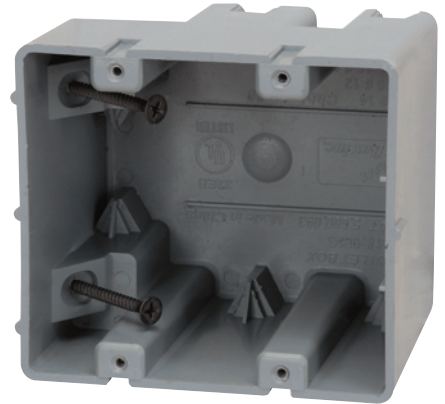
2 Gang Device Box

APPLICATION:

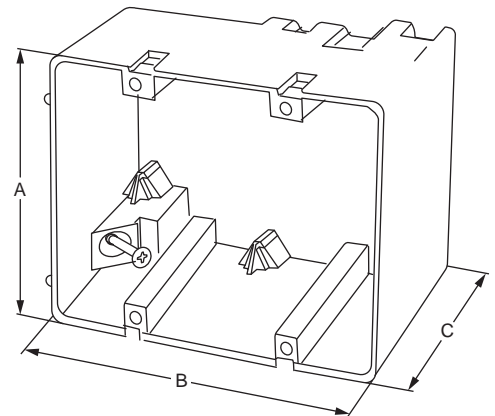
Mounts to wood or metal stud for new work and retrofit with adjustable depth capability

FEATURES:

Depth adjustable. Step down feature allows for wire entrance in both top and bottom of box. Mounts to wood or 25 gauge metal stud. Extra thick PVC wall material creates stability and rigidity. Built-in wire clamps. All 6/32 device holes are threaded. Heavy-duty mounting screws supplied.

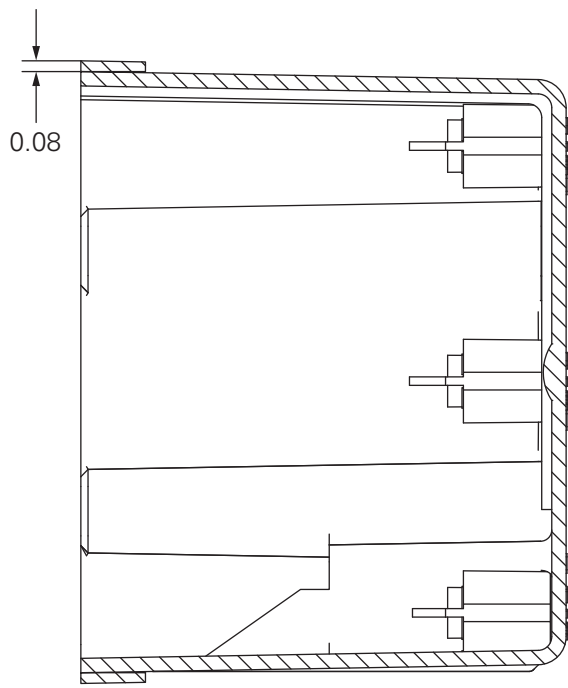


ITEM #:	MSB2G
UPC:	784297017643
COUNTRY OF ORIGIN:	China
MATERIAL:	PVC
TRADE SIZE:	2 Gang
MASTER CARTON QTY:	16
MASTER WEIGHT:	7.15 lbs.
MASTER HEIGHT:	7.00 in.
MASTER WIDTH:	8.13 in.
MASTER DEPTH:	18.00 in.
ITEM WEIGHT:	0.45 lbs.
ITEM HEIGHT (A):	3.82 in.
ITEM WIDTH (B):	4.20 in.
ITEM DEPTH (C):	3.40 in.
VOLUME:	38.00 cu. in.
TYPE OF INSTALLATION:	New Work & Old Work
CERTIFICATIONS:	UL Listed E205857, UL Fire Rated/Classified for 2 hour wall, RoHS Compliant

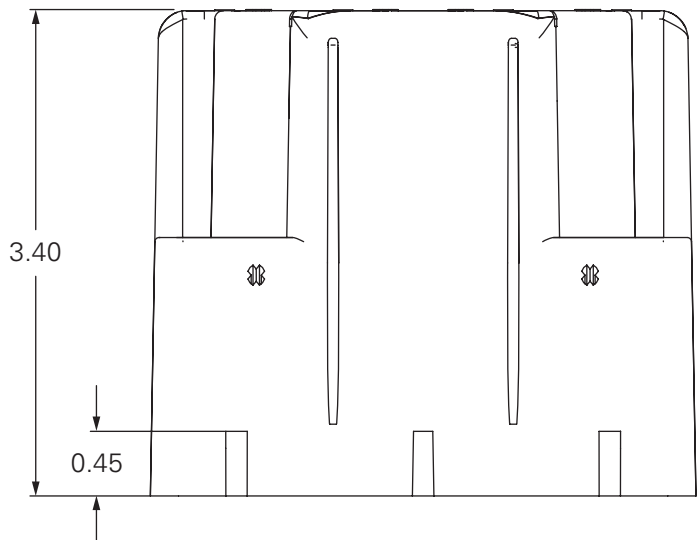
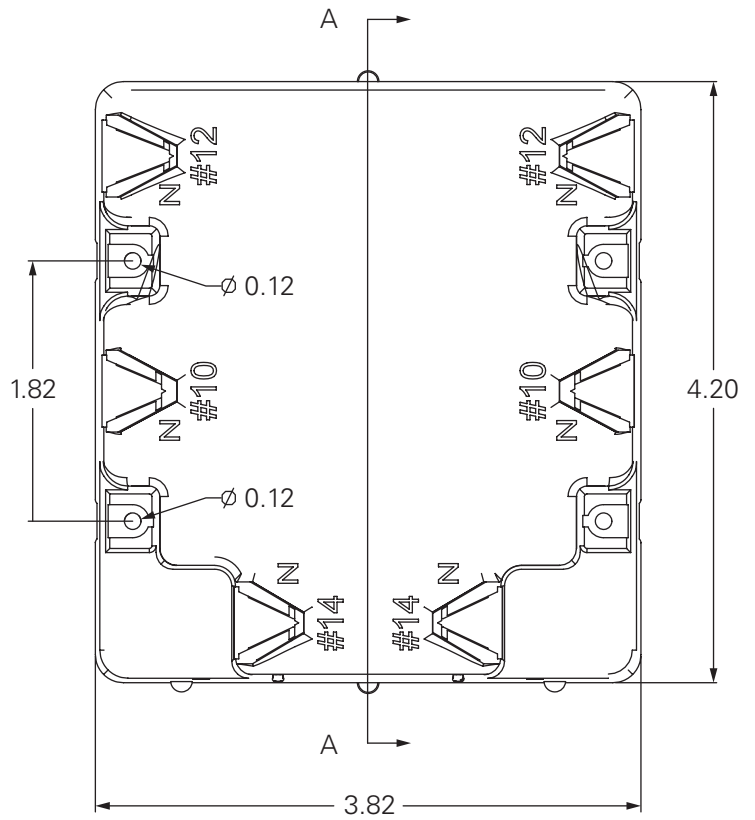


MEproducts.net





SECTION A - A



NOTES

1. BOX MATERIAL: PVC
2. UL LISTED
3. DIMENSIONS ARE IN INCHES

PROPRIETARY & CONFIDENTIAL

THE INFORMATION CONTAINED IN THIS DRAWING IS THE SOLE PROPERTY OF MADISON ELECTRIC PRODUCTS, INC. ANY REPRODUCTION IN PART OR AS A WHOLE WITHOUT THE WRITTEN PERMISSION OF MADISON ELECTRIC PRODUCTS, INC. IS PROHIBITED.



MADISON ELECTRIC
meproducts.net

TITLE:

**SMART BOX
2 GANG ORIGINAL**

PART NO.

MSB2G



SMART BOX ORIGINAL 3 GANG DEVICE BOX

ITEM#: MSB3G

PRODUCT DESCRIPTION:

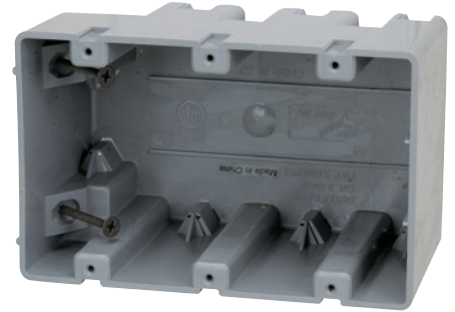
3 Gang Device Box

APPLICATION:

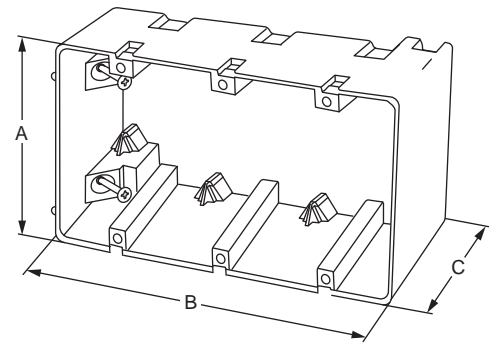
Mounts to wood or metal stud for new work and retrofit with adjustable depth capability

FEATURES:

Depth adjustable. Step down feature allows for wire entrance in both top and bottom of box. Mounts to wood or 25 gauge metal stud. Extra thick PVC wall material creates stability and rigidity. Built-in wire clamps. All 6/32 device holes are threaded. Heavy-duty mounting screws supplied.

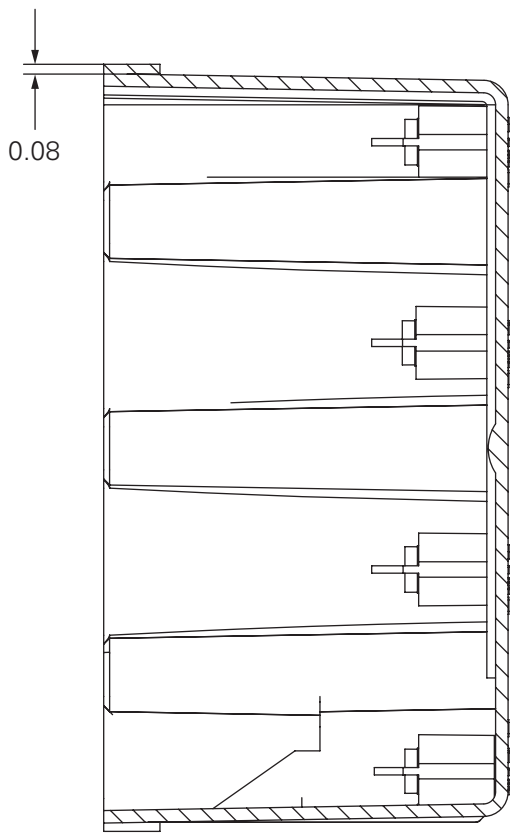


ITEM #:	MSB3G
UPC:	784297017650
COUNTRY OF ORIGIN:	China
MATERIAL:	PVC
TRADE SIZE:	3 Gang
MASTER CARTON QTY:	8
MASTER WEIGHT:	4.70 lbs.
MASTER HEIGHT:	6.63 in.
MASTER WIDTH:	6.63 in.
MASTER DEPTH:	16.13 in.
ITEM WEIGHT:	0.59 lbs.
ITEM HEIGHT (A):	3.81 in.
ITEM WIDTH (B):	6.02 in.
ITEM DEPTH (C):	3.26 in.
VOLUME:	57.00 cu. in.
TYPE OF INSTALLATION:	New Work & Old Work
CERTIFICATIONS:	UL Listed E205857, UL Fire Rated/Classified for 2 hour wall, RoHS Compliant

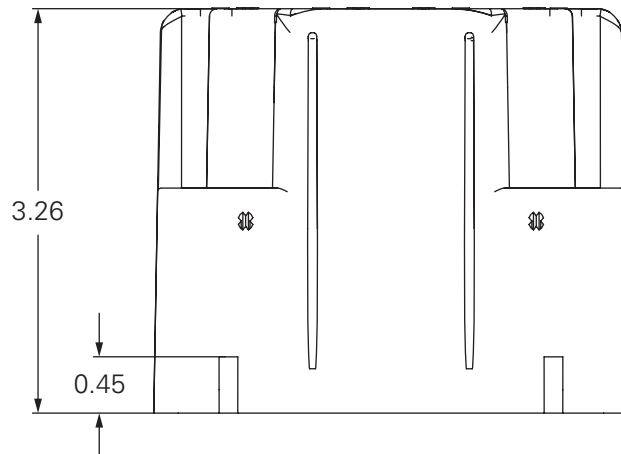
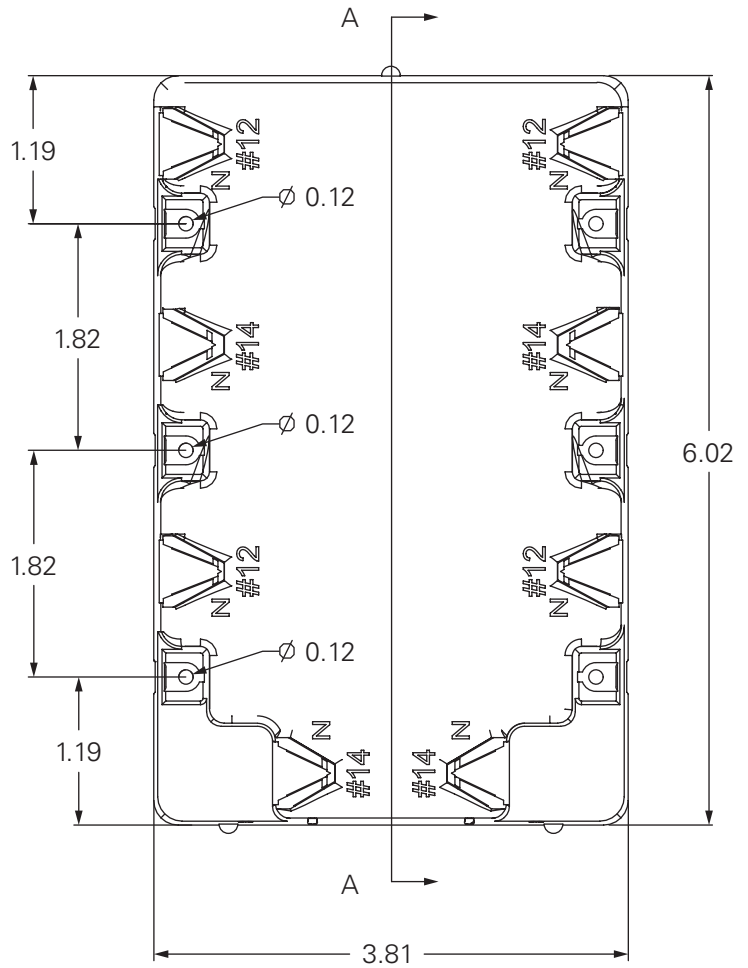


ME products.net





SECTION A - A



NOTES

1. BOX MATERIAL: PVC
2. UL LISTED
3. DIMENSIONS ARE IN INCHES

PROPRIETARY & CONFIDENTIAL

THE INFORMATION CONTAINED IN THIS DRAWING IS THE SOLE PROPERTY OF MADISON ELECTRIC PRODUCTS, INC. ANY REPRODUCTION IN PART OR AS A WHOLE WITHOUT THE WRITTEN PERMISSION OF MADISON ELECTRIC PRODUCTS, INC. IS PROHIBITED.



MADISON ELECTRIC
meproducts.net

TITLE:

**SMART BOX
3 GANG ORIGINAL**

PART NO.

MSB3G



SMART BOX ORIGINAL 4 GANG DEVICE BOX

ITEM#: MSB4G

PRODUCT DESCRIPTION:

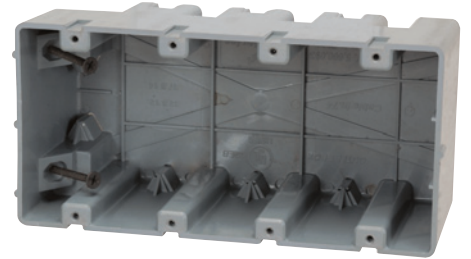
4 Gang Device Box

APPLICATION:

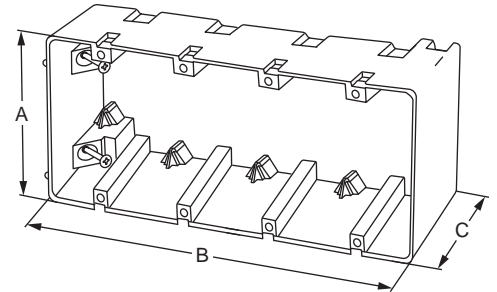
Mounts to wood or metal stud for new work and retrofit with adjustable depth capability

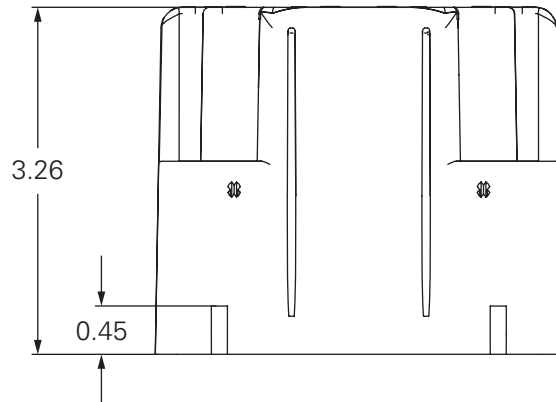
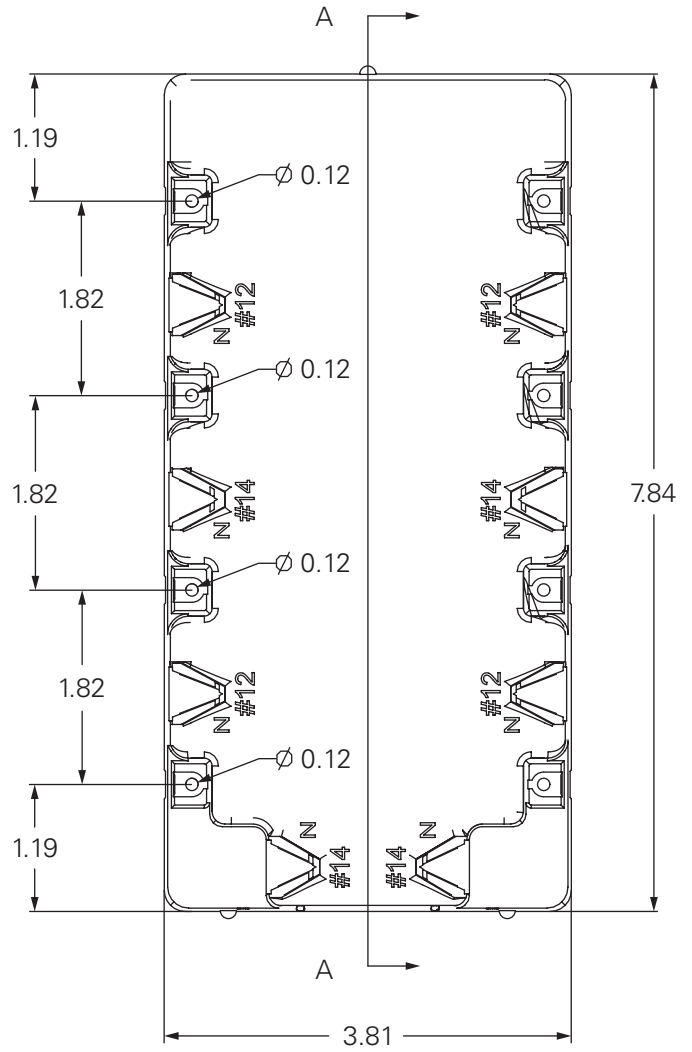
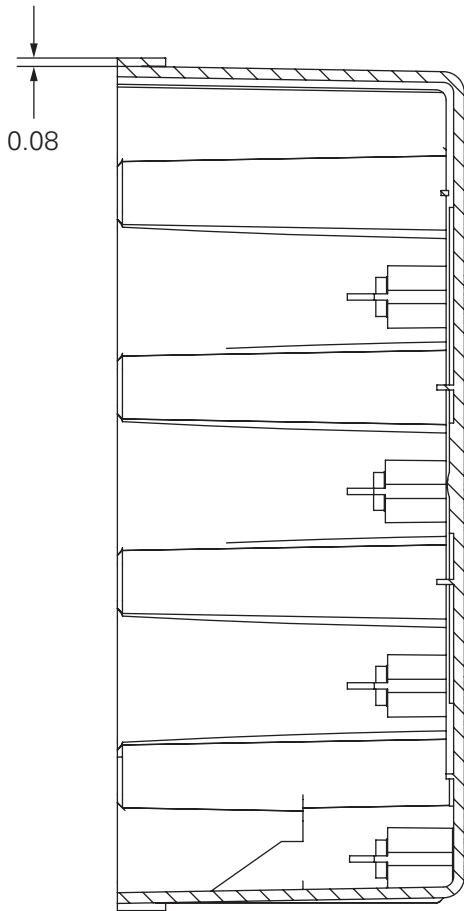
FEATURES:

Depth adjustable. Step down feature allows for wire entrance in both top and bottom of box. Mounts to wood or 25 gauge metal stud. Extra thick PVC wall material creates stability and rigidity. Built-in wire clamps. All 6/32 device holes are threaded. Heavy-duty mounting screws supplied.



ITEM #:	MSB4G
UPC:	784297017667
COUNTRY OF ORIGIN:	China
MATERIAL:	PVC
TRADE SIZE:	4 Gang
MASTER CARTON QTY:	8
MASTER WEIGHT:	5.85 lbs.
MASTER HEIGHT:	6.75 in.
MASTER WIDTH:	8.38 in.
MASTER DEPTH:	16.25 in.
ITEM WEIGHT:	0.73 lbs.
ITEM HEIGHT (A):	3.81 in.
ITEM WIDTH (B):	7.84 in.
ITEM DEPTH (C):	3.26 in.
VOLUME:	74.00 cu. in.
TYPE OF INSTALLATION:	New Work & Old Work
CERTIFICATIONS:	UL Listed E205857, RoHS Compliant





NOTES

1. BOX MATERIAL: PVC
2. UL LISTED
3. DIMENSIONS ARE IN INCHES

PROPRIETARY & CONFIDENTIAL

THE INFORMATION CONTAINED IN THIS DRAWING IS THE SOLE PROPERTY OF MADISON ELECTRIC PRODUCTS, INC. ANY REPRODUCTION IN PART OR AS A WHOLE WITHOUT THE WRITTEN PERMISSION OF MADISON ELECTRIC PRODUCTS, INC. IS PROHIBITED.



MADISON ELECTRIC
meproducts.net

TITLE:

**SMART BOX
4 GANG ORIGINAL**

PART NO.

MSB4G