



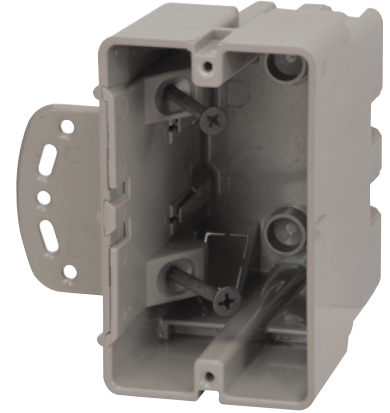
SMART BOX MULTI-MOUNT 1 GANG DEVICE BOX

ITEM#: MSBMMT1G

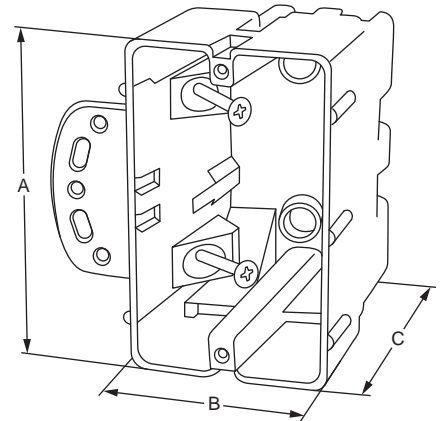
PRODUCT DESCRIPTION:
1 Gang Multi-mount Device Box

APPLICATION:
Mounts horizontally or vertically for flat screen TV and home theater applications

FEATURES:
Removable nail tabs used for metal stud mounting. Removable interior mounting blocks allow for more cubic inch in the box. Built in mounting blocks on the top end of the box for vertical mounting. 1/2 inch knock outs for blue tube or PVC conduit connections. Low voltage wall dividers allow for low and line voltages in the same box. Vertical and horizontal mounting.



ITEM #:	MSBMMT1G
UPC:	784297017704
COUNTRY OF ORIGIN:	China
MATERIAL:	Polycarbonate
TRADE SIZE:	1 Gang
MASTER CARTON QTY:	50
MASTER WEIGHT:	12.00 lbs.
MASTER HEIGHT:	7.88 in.
MASTER WIDTH:	15.00 in.
MASTER DEPTH:	19.25 in.
ITEM WEIGHT:	0.24 lbs.
ITEM HEIGHT (A):	3.82 in.
ITEM WIDTH (B):	2.40 in.
ITEM DEPTH (C):	3.50 in.
VOLUME:	21.00 cu. in.
TYPE OF INSTALLATION:	New Work & Old Work
CERTIFICATIONS:	UL Listed E205857, RoHS Compliant





SMART BOX MULTI-MOUNT 2 GANG DEVICE BOX

ITEM#: MSBMMT2G

PRODUCT DESCRIPTION:

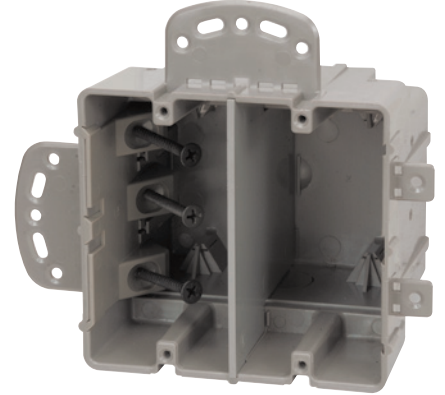
2 Gang Multi-mount Device Box

APPLICATION:

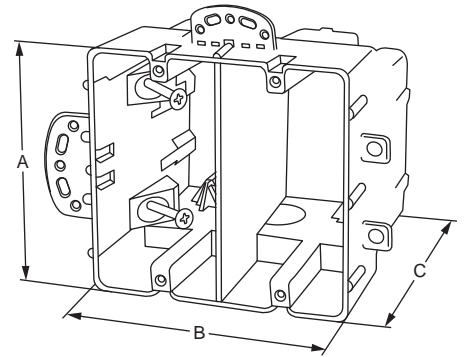
Mounts horizontally or vertically for flat screen TV and home theater applications

FEATURES:

Removable nail tabs used for metal stud mounting. Removable interior mounting blocks allow for more cubic inch in the box. Built in mounting blocks on the top end of the box for vertical mounting. ½ inch knock outs for blue tube or PVC conduit connections. Low voltage wall dividers allow for low and line voltages in the same box. Vertical and horizontal mounting.

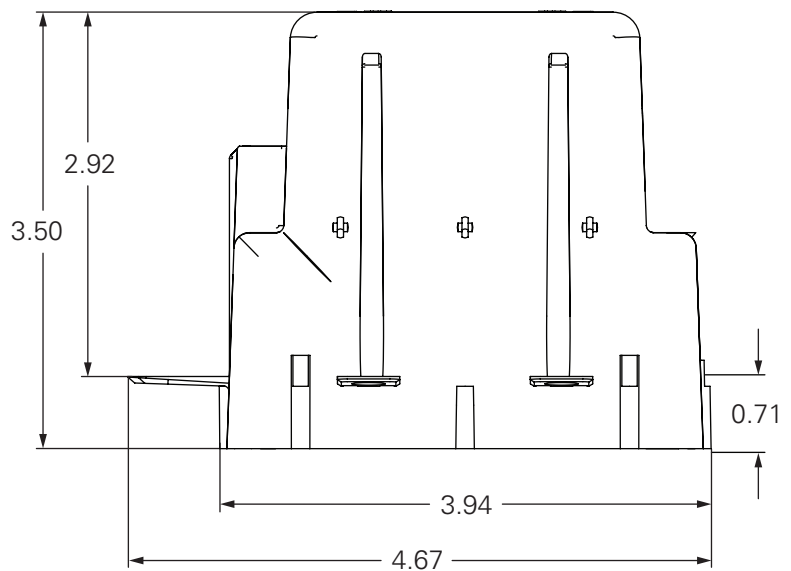
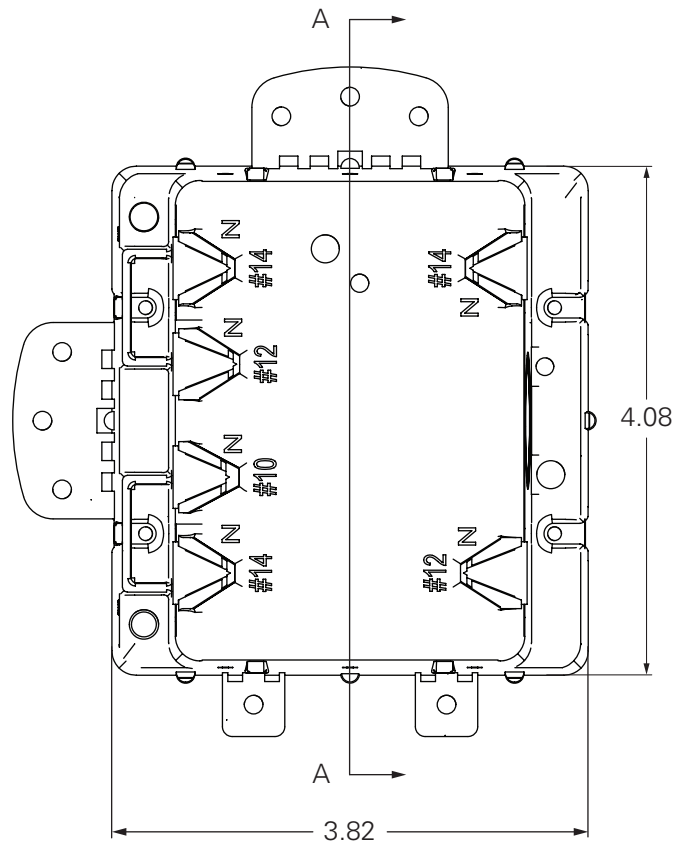
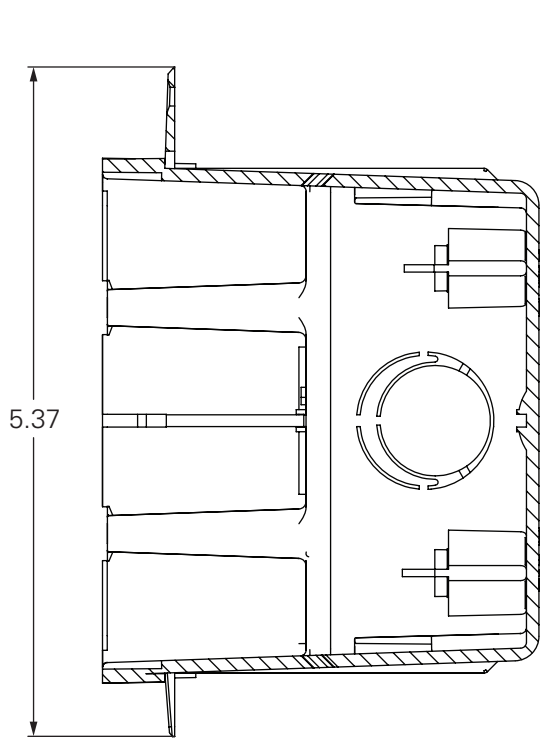


ITEM #:	MSBMMT2G
UPC:	784297017711
COUNTRY OF ORIGIN:	China
MATERIAL:	Polycarbonate
TRADE SIZE:	2 Gang
MASTER CARTON QTY:	30
MASTER WEIGHT:	12.85 lbs.
MASTER HEIGHT:	8.00 in.
MASTER WIDTH:	15.50 in.
MASTER DEPTH:	21.00 in.
ITEM WEIGHT:	0.43 lbs.
ITEM HEIGHT (A):	3.82 in.
ITEM WIDTH (B):	4.80 in.
ITEM DEPTH (C):	3.50 in.
VOLUME:	37.00 cu. in.
TYPE OF INSTALLATION:	New Work & Old Work
CERTIFICATIONS:	UL Listed E205857, RoHS Compliant



ME products.net





NOTES

1. BOX MATERIAL: POLYCARBONATE
2. UL LISTED
3. DIMENSIONS ARE IN INCHES

PROPRIETARY & CONFIDENTIAL

THE INFORMATION CONTAINED IN THIS DRAWING IS THE SOLE PROPERTY OF MADISON ELECTRIC PRODUCTS, INC. ANY REPRODUCTION IN PART OR AS A WHOLE WITHOUT THE WRITTEN PERMISSION OF MADISON ELECTRIC PRODUCTS, INC. IS PROHIBITED.



MADISON ELECTRIC
meproducts.net

TITLE:

**SMART BOX
2 GANG MULTIMOUNT**

PART NO.

MSBMMT2G



SMART BOX MULTI-MOUNT 3 GANG DEVICE BOX

ITEM#: MSBMMT3G

PRODUCT DESCRIPTION:

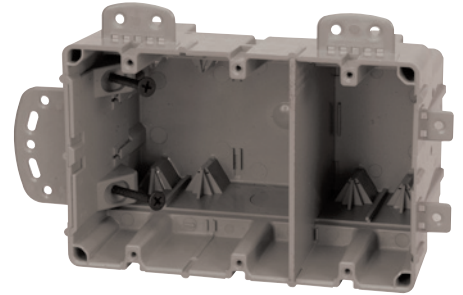
3 Gang Multi-mount Device Box

APPLICATION:

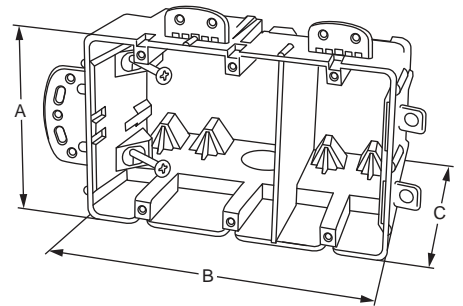
Mounts horizontally or vertically for flat screen TV and home theater applications

FEATURES:

Removable nail tabs used for metal stud mounting. Removable interior mounting blocks allow for more cubic inch in the box. Built in mounting blocks on the top end of the box for vertical mounting. ½ inch knock outs for blue tube or PVC conduit connections. Low voltage wall dividers allow for low and line voltages in the same box. Vertical and horizontal mounting.



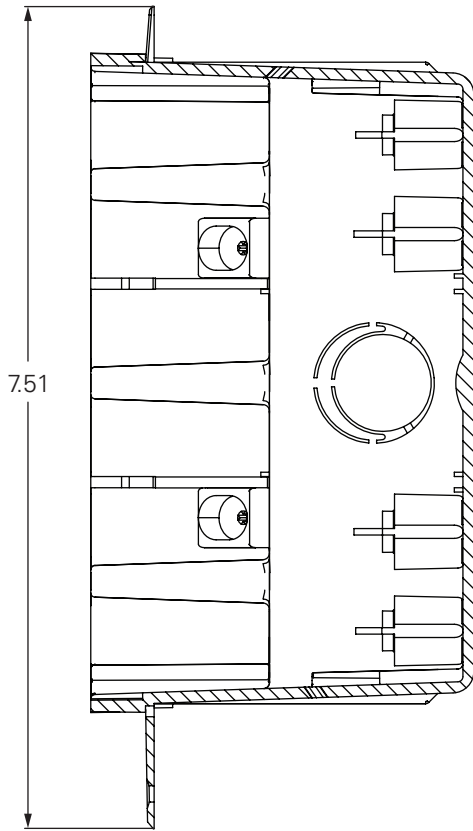
ITEM #:	MSBMMT3G
UPC:	784297017728
COUNTRY OF ORIGIN:	China
MATERIAL:	Polycarbonate
TRADE SIZE:	3 Gang
MASTER CARTON QTY:	20
MASTER WEIGHT:	10.25 lbs.
MASTER HEIGHT:	7.88 in.
MASTER WIDTH:	14.25 in.
MASTER DEPTH:	19.38 in.
ITEM WEIGHT:	0.51 lbs.
ITEM HEIGHT (A):	3.82 in.
ITEM WIDTH (B):	5.90 in.
ITEM DEPTH (C):	3.50 in.
VOLUME:	55.00 cu. in.
TYPE OF INSTALLATION:	New Work & Old Work
CERTIFICATIONS:	UL Listed E205857, RoHS Compliant



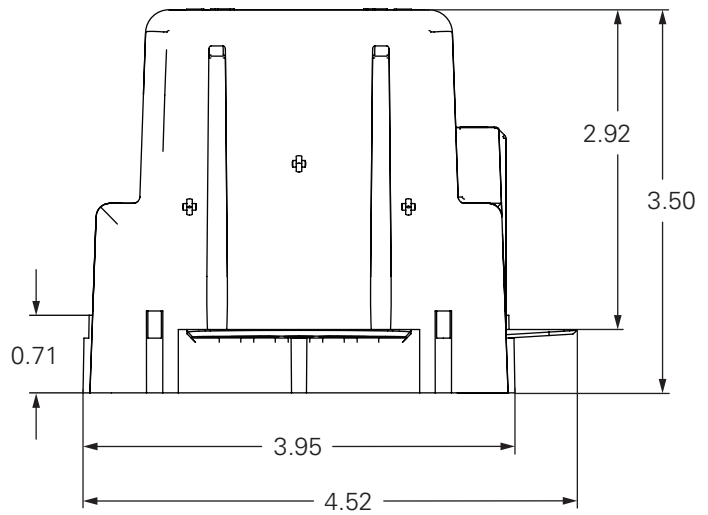
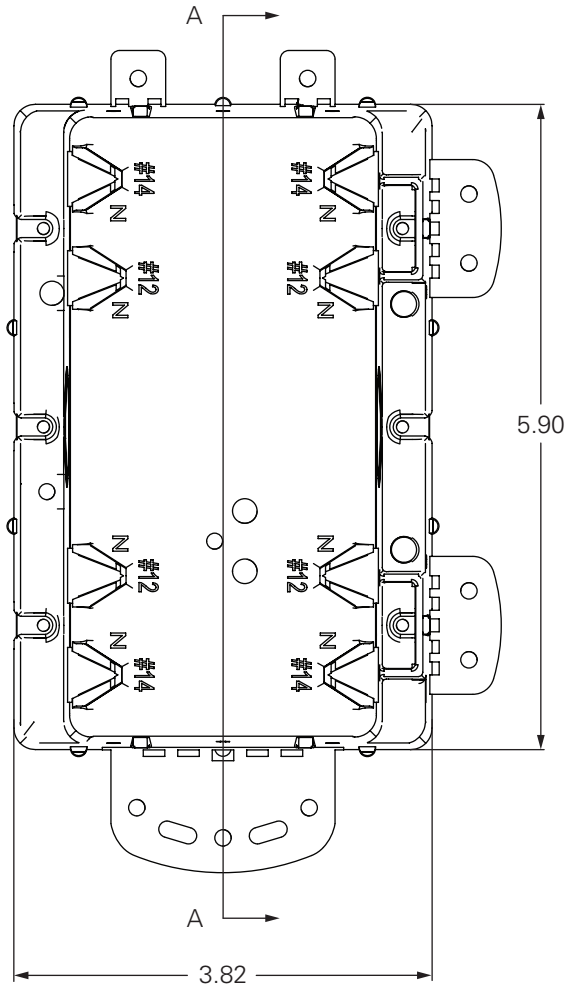
sparks
[innovation] CENTER

ME products.net





SECTION A - A



NOTES

1. BOX MATERIAL: POLYCARBONATE
2. UL LISTED
3. DIMENSIONS ARE IN INCHES

PROPRIETARY & CONFIDENTIAL

THE INFORMATION CONTAINED IN THIS DRAWING IS THE SOLE PROPERTY OF MADISON ELECTRIC PRODUCTS, INC. ANY REPRODUCTION IN PART OR AS A WHOLE WITHOUT THE WRITTEN PERMISSION OF MADISON ELECTRIC PRODUCTS, INC. IS PROHIBITED.



MADISON ELECTRIC
meproducts.net

TITLE:

**SMART BOX
3 GANG MULTIMOUNT**

PART NO.

MSBMMT3G



SMART BOX MULTI-MOUNT 4 GANG DEVICE BOX

ITEM#: MSBMMT4G

PRODUCT DESCRIPTION:

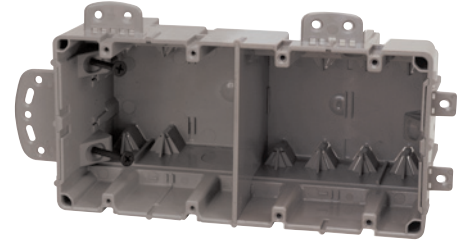
4 Gang Multi-mount Device Box

APPLICATION:

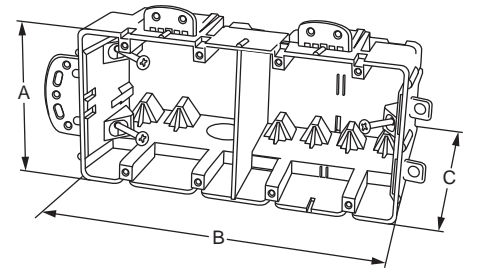
Mounts horizontally or vertically for flat screen TV and home theater applications

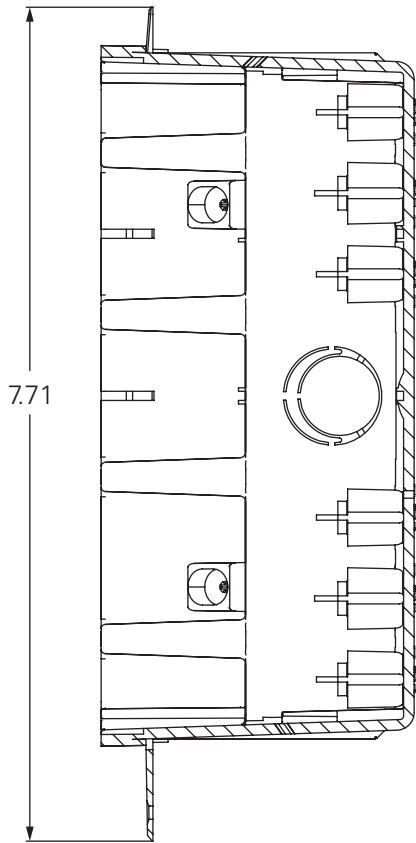
FEATURES:

Removable nail tabs used for metal stud mounting. Removable interior mounting blocks allow for more cubic inch in the box. Built in mounting blocks on the top end of the box for vertical mounting. ½ inch knock outs for blue tube or PVC conduit connections. Low voltage wall dividers allow for low and line voltages in the same box. Vertical and horizontal mounting.

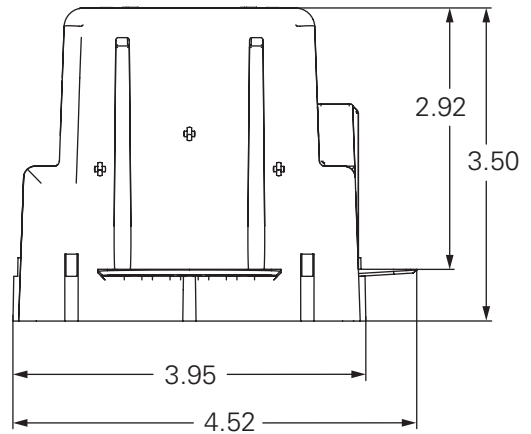
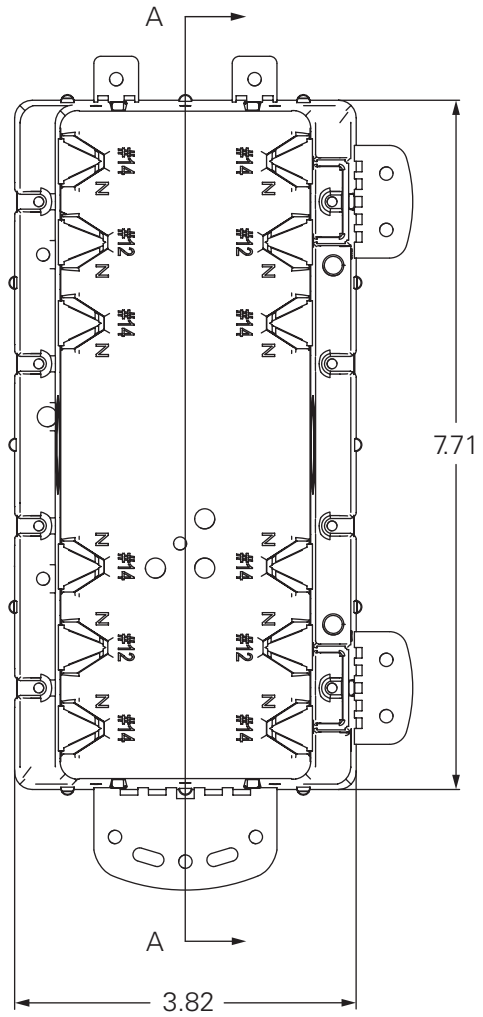


ITEM #:	MSBMMT4G
UPC:	784297017735
COUNTRY OF ORIGIN:	China
MATERIAL:	Polycarbonate
TRADE SIZE:	4 Gang
MASTER CARTON QTY:	20
MASTER WEIGHT:	13.12 lbs.
MASTER HEIGHT:	8.00 in.
MASTER WIDTH:	17.63 in.
MASTER DEPTH:	19.25 in.
ITEM WEIGHT:	0.66 lbs.
ITEM HEIGHT (A):	3.82 in.
ITEM WIDTH (B):	7.71 in.
ITEM DEPTH (C):	3.50 in.
VOLUME:	67.00 cu. in.
TYPE OF INSTALLATION:	New Work & Old Work
CERTIFICATIONS:	UL Listed E205857, RoHS Compliant





SECTION A - A



NOTES

1. BOX MATERIAL: POLYCARBONATE
2. UL LISTED
3. DIMENSIONS ARE IN INCHES

PROPRIETARY & CONFIDENTIAL

THE INFORMATION CONTAINED IN THIS DRAWING IS THE SOLE PROPERTY OF MADISON ELECTRIC PRODUCTS, INC. ANY REPRODUCTION IN PART OR AS A WHOLE WITHOUT THE WRITTEN PERMISSION OF MADISON ELECTRIC PRODUCTS, INC. IS PROHIBITED.



MADISON ELECTRIC
meproducts.net

TITLE:

**SMART BOX
4 GANG MULTIMOUNT**

PART NO.

MSBMMT4G



SMART BOX MULTI-MOUNT 5 GANG DEVICE BOX

ITEM#: MSBMMT5G

PRODUCT DESCRIPTION:

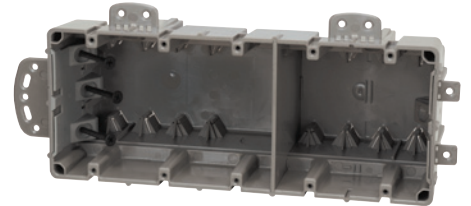
5 Gang Multi-mount Device Box

APPLICATION:

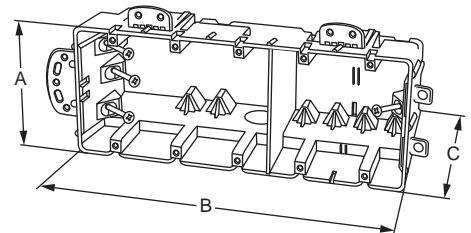
Mounts horizontally or vertically for flat screen TV and home theater applications

FEATURES:

Removable nail tabs used for metal stud mounting. Removable interior mounting blocks allow for more cubic inch in the box. Built in mounting blocks on the top end of the box for vertical mounting. ½ inch knock outs for blue tube or PVC conduit connections. Low voltage wall dividers allow for low and line voltages in the same box. Largest volume offered in device boxes. Vertical and horizontal mounting.

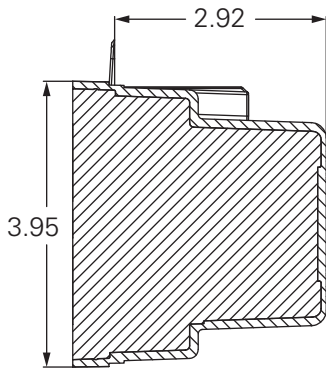
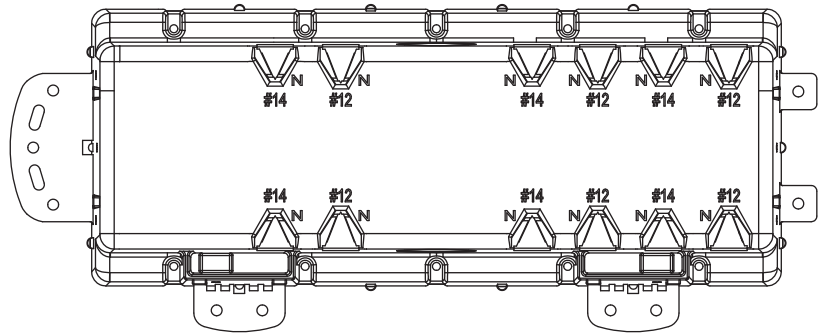


ITEM #:	MSBMMT5G
UPC:	784297017742
COUNTRY OF ORIGIN:	China
MATERIAL:	Polycarbonate
TRADE SIZE:	5 Gang
MASTER CARTON QTY:	4
MASTER WEIGHT:	4.25 lbs.
MASTER HEIGHT:	4.13 in.
MASTER WIDTH:	11.56 in.
MASTER DEPTH:	16.13 in.
ITEM WEIGHT:	1.063 lbs.
ITEM HEIGHT (A):	3.82 in.
ITEM WIDTH (B):	9.52 in.
ITEM DEPTH (C):	3.50 in.
VOLUME:	91.50 cu. in.
TYPE OF INSTALLATION:	New Work & Old Work
CERTIFICATIONS:	UL Listed E205857, RoHS Compliant

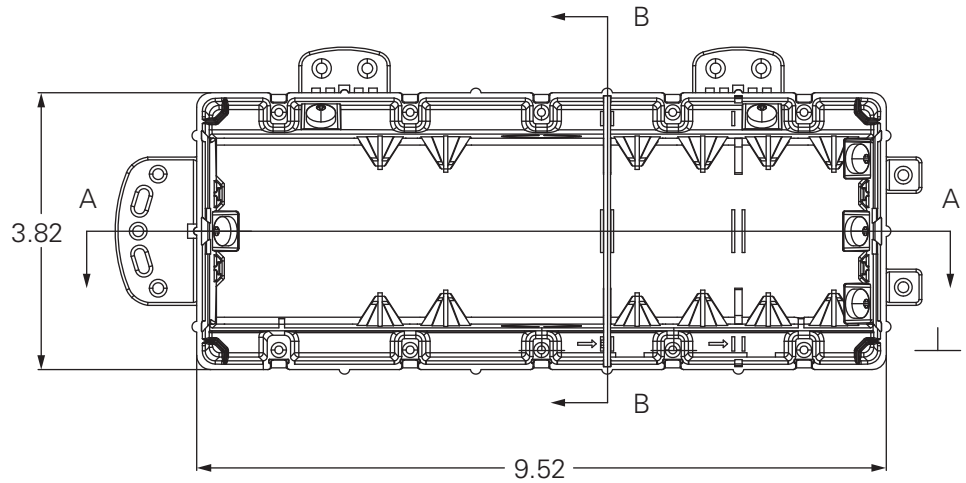


ME products.net

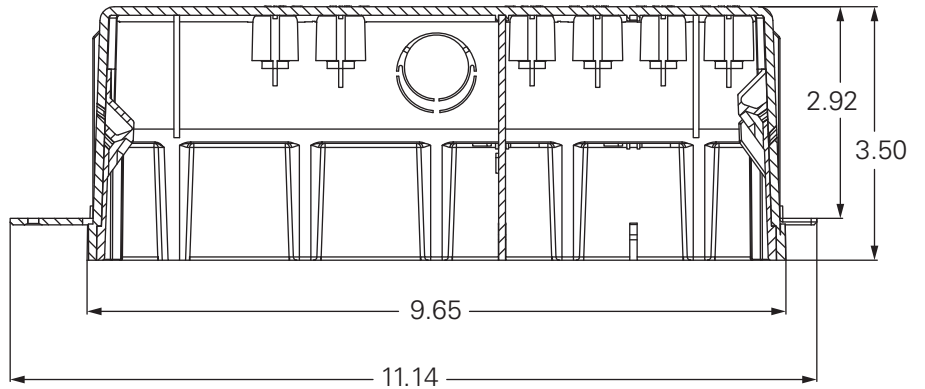




SECTION B - B



SECTION A - A



NOTES

1. BOX MATERIAL: POLYCARBONATE
2. UL LISTED
3. DIMENSIONS ARE IN INCHES

PROPRIETARY & CONFIDENTIAL

THE INFORMATION CONTAINED IN THIS DRAWING IS THE SOLE PROPERTY OF MADISON ELECTRIC PRODUCTS, INC. ANY REPRODUCTION IN PART OR AS A WHOLE WITHOUT THE WRITTEN PERMISSION OF MADISON ELECTRIC PRODUCTS, INC. IS PROHIBITED.



MADISON ELECTRIC
meproducts.net

TITLE:

**SMART BOX
5 GANG MULTIMOUNT**

PART NO.

MSBMMT5G



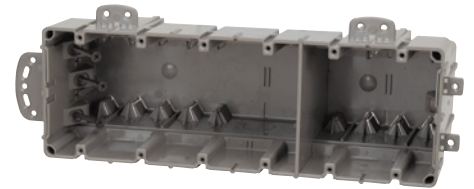
SMART BOX MULTI-MOUNT 6 GANG DEVICE BOX

ITEM#: MSBMMT6G

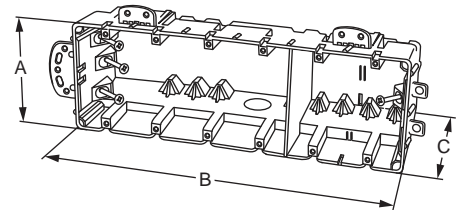
PRODUCT DESCRIPTION:
6 Gang Multi-mount Device Box

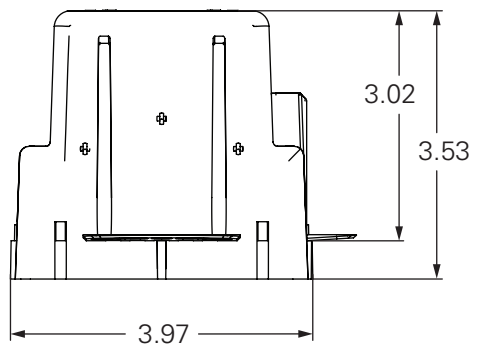
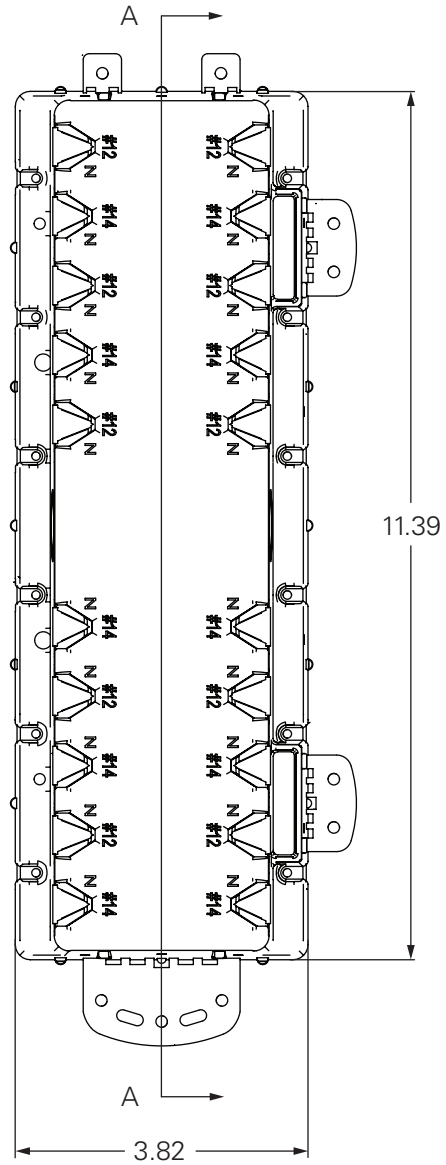
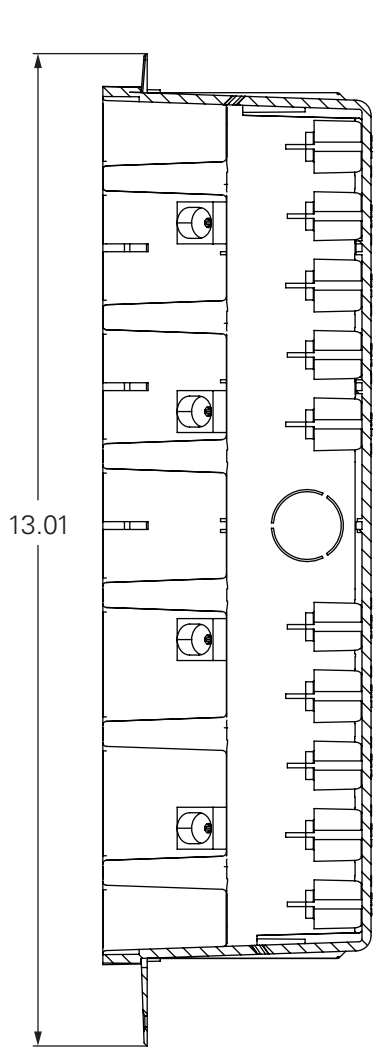
APPLICATION:
Mounts horizontally or vertically for flat screen TV and home theater applications

FEATURES:
Removable nail tabs used for metal stud mounting. Removable interior mounting blocks allow for more cubic inch in the box. Built in mounting blocks on the top end of the box for vertical mounting. 1/2 inch knock outs for blue tube or PVC conduit connections. Low voltage wall dividers allow for low and line voltages in the same box. Largest volume offered in device boxes. Vertical and horizontal mounting.



ITEM #:	MSBMMT6G
UPC:	784297017759
COUNTRY OF ORIGIN:	China
MATERIAL:	Polycarbonate
TRADE SIZE:	6 Gang
MASTER CARTON QTY:	4
MASTER WEIGHT:	4.75 lbs.
MASTER HEIGHT:	4.00 in.
MASTER WIDTH:	13.25 in.
MASTER DEPTH:	19.13 in.
ITEM WEIGHT:	1.19 lbs.
ITEM HEIGHT (A):	3.84 in.
ITEM WIDTH (B):	11.39 in.
ITEM DEPTH (C):	3.53 in.
VOLUME:	110.00 cu. in.
TYPE OF INSTALLATION:	New Work & Old Work
CERTIFICATIONS:	UL Listed E205857, RoHS Compliant





NOTES

1. BOX MATERIAL: POLYCARBONATE
2. UL LISTED
3. DIMENSIONS ARE IN INCHES

PROPRIETARY & CONFIDENTIAL

THE INFORMATION CONTAINED IN THIS DRAWING IS THE SOLE PROPERTY OF MADISON ELECTRIC PRODUCTS, INC. ANY REPRODUCTION IN PART OR AS A WHOLE WITHOUT THE WRITTEN PERMISSION OF MADISON ELECTRIC PRODUCTS, INC. IS PROHIBITED.



MADISON ELECTRIC
meproducts.net

TITLE:

**SMART BOX
6 GANG MULTIMOUNT**

PART NO.

MSBMMT6G