



SMART BOX LOW VOLTAGE 1 GANG BOX

ITEM#: MSBLV1G

PRODUCT DESCRIPTION:

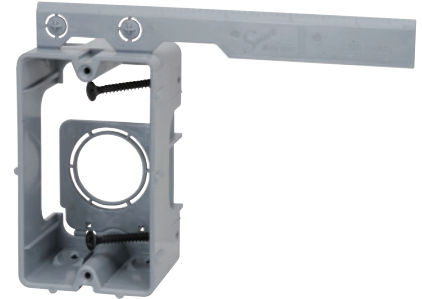
1 Gang Low Voltage Device Box

APPLICATION:

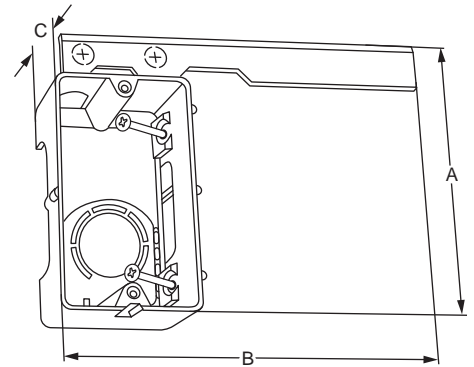
Mounts to wood or metal stud for new work or retrofit with adjustable depth capability

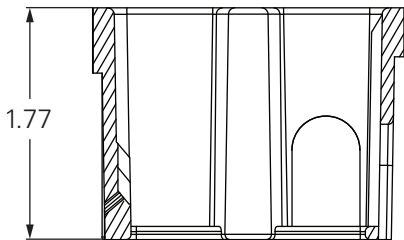
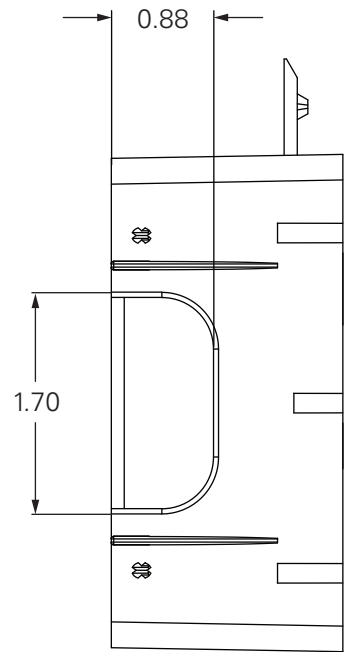
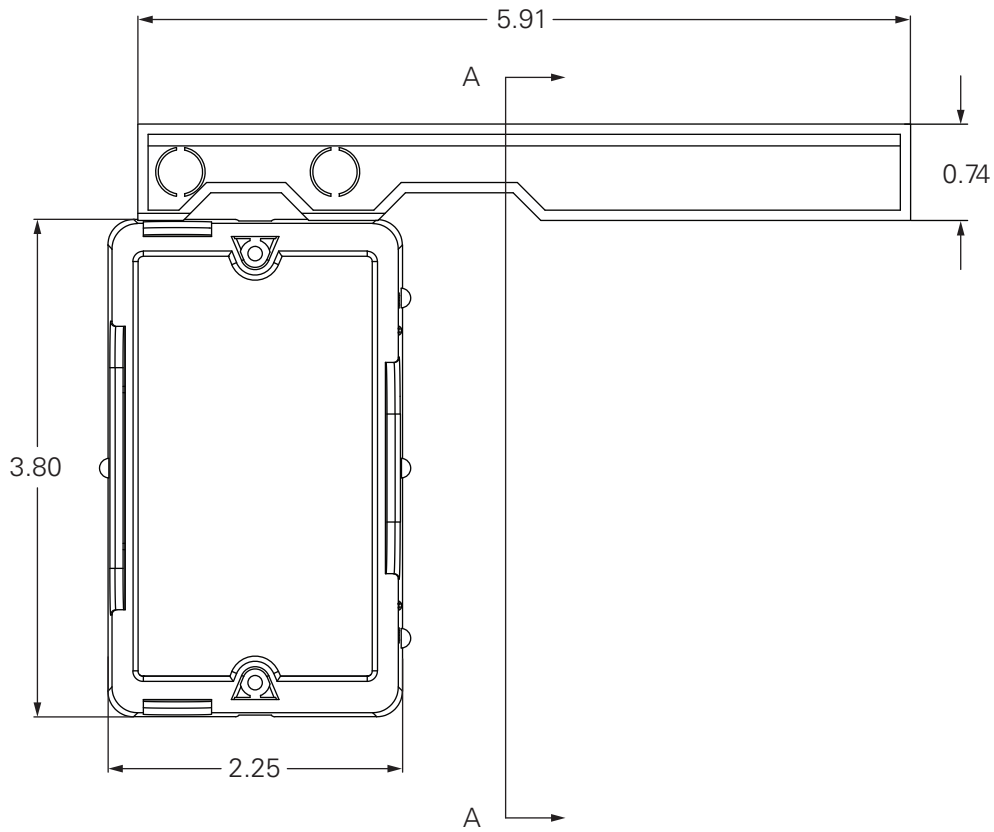
FEATURES:

Leveling tab feature allows for easy alignment to adjacent box. Heavy-duty mounting screws supplied. Mounts to wood or 25 gauge metal stud. 3/4" to 1" snap-out conduit adapter swings outward to a 90 degree locking position. Same box mounts in a horizontal or vertical position. All 6/32 device holes are threaded.



ITEM #:	MSBLV1G
UPC:	784297017827
COUNTRY OF ORIGIN:	China
MATERIAL:	PVC
TRADE SIZE:	1 Gang
MASTER CARTON QTY:	16
MASTER WEIGHT:	2.40 lbs.
MASTER HEIGHT:	4.25 in.
MASTER WIDTH:	9.88 in.
MASTER DEPTH:	10.75 in.
ITEM WEIGHT:	0.15 lbs.
ITEM HEIGHT (A):	3.80 in.
ITEM WIDTH (B):	2.25 in.
ITEM DEPTH (C):	1.77 in.
VOLUME:	N/A
TYPE OF INSTALLATION:	New Work & Old Work
CERTIFICATIONS:	RoHS Compliant





NOTES

1. BOX MATERIAL: PVC
2. DIMENSIONS ARE IN INCHES

PROPRIETARY & CONFIDENTIAL

THE INFORMATION CONTAINED IN THIS DRAWING IS THE SOLE PROPERTY OF MADISON ELECTRIC PRODUCTS, INC. ANY REPRODUCTION IN PART OR AS A WHOLE WITHOUT THE WRITTEN PERMISSION OF MADISON ELECTRIC PRODUCTS, INC. IS PROHIBITED.



MADISON ELECTRIC
meproducts.net

TITLE:

**SMART BOX
1 GANG LOW VOLTAGE**

PART NO.

MSBLV1G



SMART BOX LOW VOLTAGE 2 GANG BOX

ITEM#: MSBLV2G

PRODUCT DESCRIPTION:

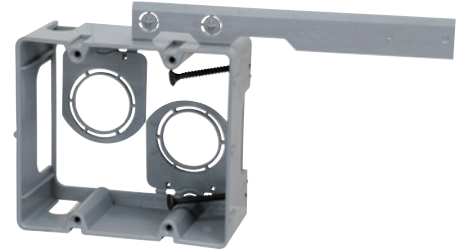
2 Gang Low Voltage Device Box

APPLICATION:

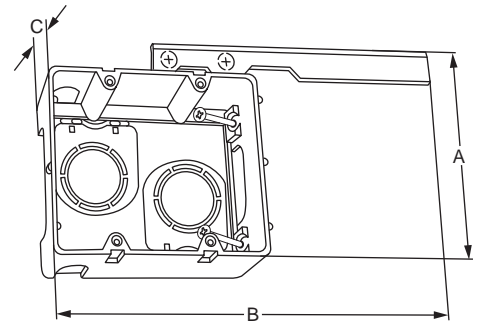
Mounts to wood or metal stud for new work or retrofit with adjustable depth capability

FEATURES:

Leveling tab feature allows for easy alignment to adjacent box. Heavy-duty mounting screws supplied. Mounts to wood or 25 gauge metal stud. 3/4" to 1" snap-out conduit adapter swings outward to a 90 degree locking position. Same box mounts in a horizontal or vertical position. All 6/32 device holes are threaded.

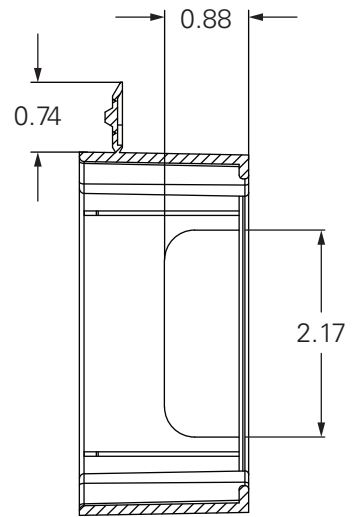
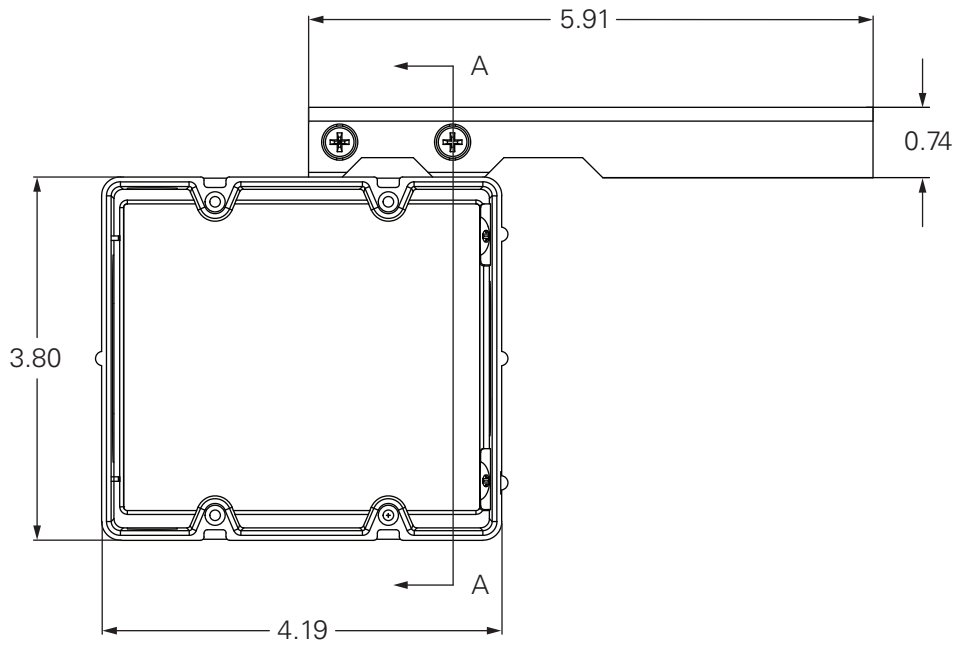


ITEM #:	MSBLV2G
UPC:	784297017834
COUNTRY OF ORIGIN:	China
MATERIAL:	PVC
TRADE SIZE:	2 Gang
MASTER CARTON QTY:	50
MASTER WEIGHT:	10.65 lbs.
MASTER HEIGHT:	9.50 in.
MASTER WIDTH:	8.75 in.
MASTER DEPTH:	23.13 in.
ITEM WEIGHT:	0.21 lbs.
ITEM HEIGHT (A):	3.80 in.
ITEM WIDTH (B):	4.19 in.
ITEM DEPTH (C):	1.77 in.
VOLUME:	N/A
TYPE OF INSTALLATION:	New Work & Old Work
CERTIFICATIONS:	RoHS Compliant

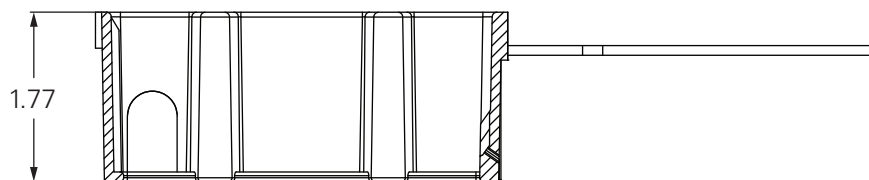


ME products.net





SECTION A - A



NOTES

1. BOX MATERIAL: PVC
2. DIMENSIONS ARE IN INCHES

PROPRIETARY & CONFIDENTIAL

THE INFORMATION CONTAINED IN THIS DRAWING IS THE SOLE PROPERTY OF MADISON ELECTRIC PRODUCTS, INC. ANY REPRODUCTION IN PART OR AS A WHOLE WITHOUT THE WRITTEN PERMISSION OF MADISON ELECTRIC PRODUCTS, INC. IS PROHIBITED.



MADISON ELECTRIC
meproducts.net

TITLE:

**SMART BOX
2 GANG LOW VOLTAGE**

PART NO.

MSBLV2G