



# SMART BOX FIXTURE BOX

## ITEM#: MSBRND

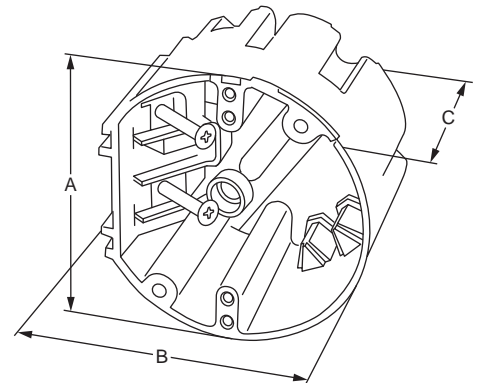
**PRODUCT DESCRIPTION:**  
Fixture Box

**APPLICATION:**  
Mounts light fixtures, smoke and carbon monoxide detectors

**FEATURES:**  
Quicker to install than a nail on box. Easily removed without creating damage to wall.  
Extra thick wall material creates stability and rigidity. Best solution for new work and retrofit applications. Heavy duty design. Extra deep for additional wire capacity. Easily upgraded from MSBRND to MSBFAN. Supports 50 lb. light fixture.

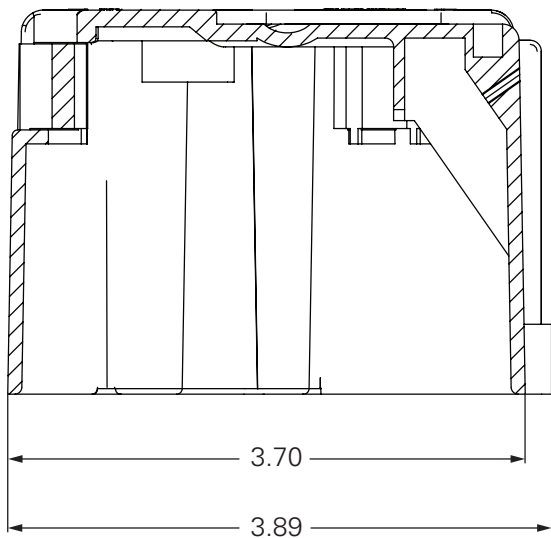
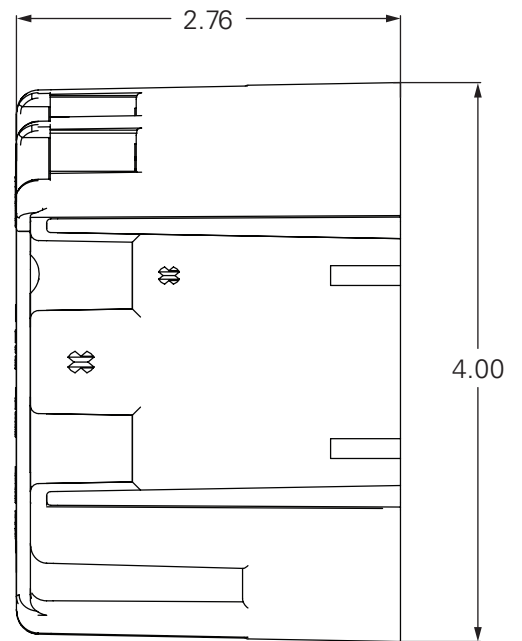
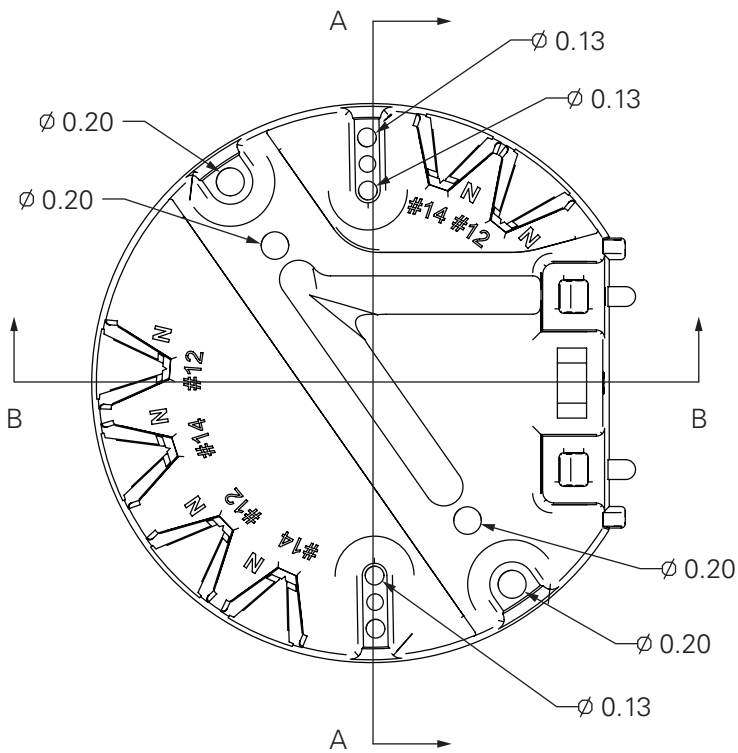


<b>ITEM #:</b>	MSBRND
<b>UPC:</b>	784297017681
<b>COUNTRY OF ORIGIN:</b>	China
<b>MATERIAL:</b>	Polycarbonate
<b>TRADE SIZE:</b>	N/A
<b>MASTER CARTON QTY:</b>	10
<b>MASTER WEIGHT:</b>	3.55 lbs.
<b>MASTER HEIGHT:</b>	4.25 in.
<b>MASTER WIDTH:</b>	8.38 in.
<b>MASTER DEPTH:</b>	15.38 in.
<b>ITEM WEIGHT:</b>	0.36 lbs.
<b>ITEM HEIGHT (A):</b>	4.00 in.
<b>ITEM WIDTH (B):</b>	3.70 in.
<b>ITEM DEPTH (C):</b>	2.76 in.
<b>VOLUME:</b>	24.00 cu. in.
<b>TYPE OF INSTALLATION:</b>	New Work & Old Work
<b>CERTIFICATIONS:</b>	UL Listed E205857, RoHS Compliant



[MEproducts.net](http://MEproducts.net)





**NOTES**

1. BOX MATERIAL: POLYCARBONATE
2. UL LISTED
3. DIMENSIONS ARE IN INCHES

**PROPRIETARY & CONFIDENTIAL**

THE INFORMATION CONTAINED IN THIS DRAWING IS THE SOLE PROPERTY OF MADISON ELECTRIC PRODUCTS, INC. ANY REPRODUCTION IN PART OR AS A WHOLE WITHOUT THE WRITTEN PERMISSION OF MADISON ELECTRIC PRODUCTS, INC. IS PROHIBITED.



MADISON ELECTRIC  
meproducts.net

TITLE:

**SMART BOX  
FIXTURE BOX**

PART NO.

**MSBRND**



# SMART BOX FAN & FIXTURE BOX

ITEM#: MSBFAN

**PRODUCT DESCRIPTION:**

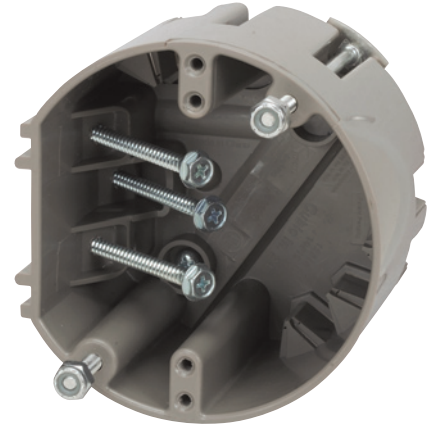
Fan & Fixture Box

**APPLICATION:**

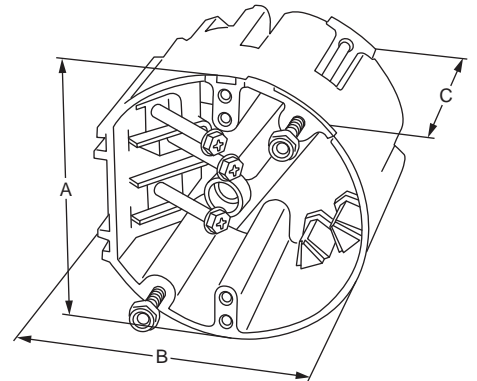
Mounts ceiling fans and heavy light fixtures

**FEATURES:**

Quicker to install than a nail on box. Easily removed without creating damage to wall. Extra thick wall material creates stability and rigidity. Best solution for new work and retrofit applications. Heavy-duty design for support of moving loads. Extra deep for additional wire capacity or ceiling fan components. Supports 50 lb. ceiling fan or 75 lb. light fixture.

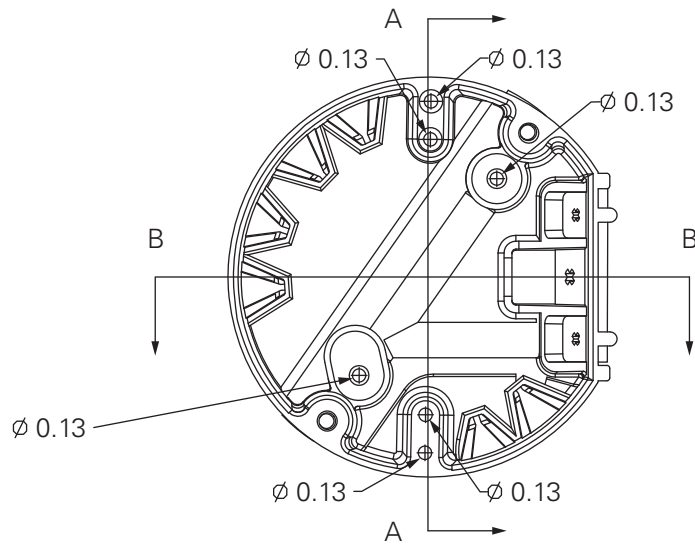
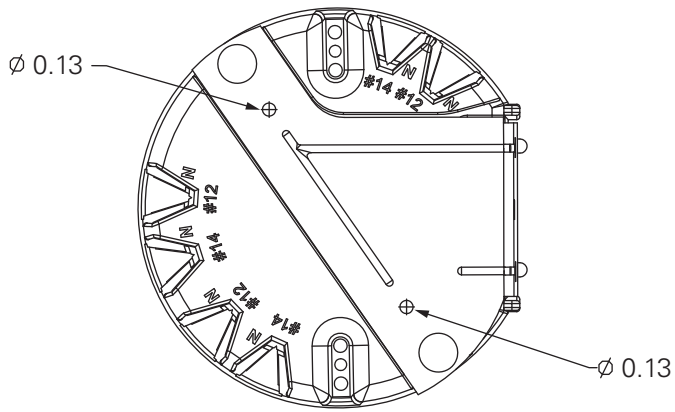


<b>ITEM #:</b>	MSBFAN
<b>UPC:</b>	784297017698
<b>COUNTRY OF ORIGIN:</b>	China
<b>MATERIAL:</b>	Polycarbonate
<b>TRADE SIZE:</b>	N/A
<b>MASTER CARTON QTY:</b>	10
<b>MASTER WEIGHT:</b>	7.00 lbs.
<b>MASTER HEIGHT:</b>	4.13 in.
<b>MASTER WIDTH:</b>	8.63 in.
<b>MASTER DEPTH:</b>	17.75 in.
<b>ITEM WEIGHT:</b>	0.70 lbs.
<b>ITEM HEIGHT (A):</b>	4.00 in.
<b>ITEM WIDTH (B):</b>	3.82 in.
<b>ITEM DEPTH (C):</b>	2.75 in.
<b>VOLUME:</b>	24.00 cu. in.
<b>TYPE OF INSTALLATION:</b>	New Work & Old Work
<b>CERTIFICATIONS:</b>	UL Listed E205857, RoHS Compliant

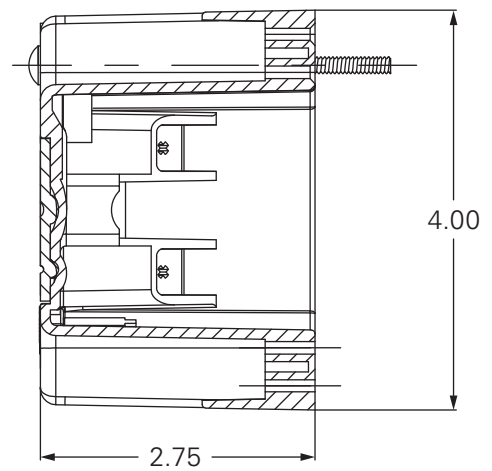


ME products.net

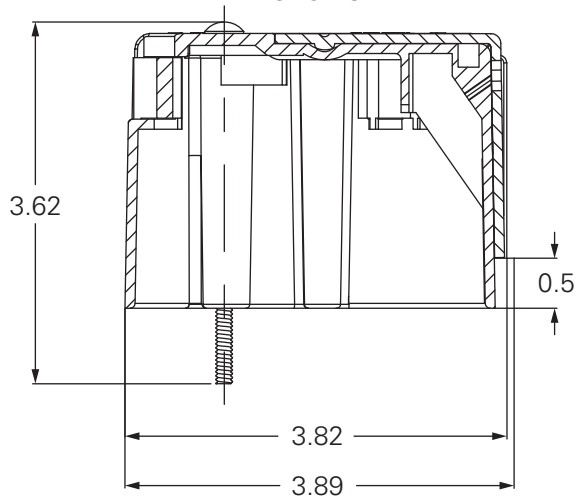




SECTION A - A



SECTION B - B



**NOTES**

1. BOX MATERIAL: POLYCARBONATE
2. UL LISTED
3. DIMENSIONS ARE IN INCHES

**PROPRIETARY & CONFIDENTIAL**

THE INFORMATION CONTAINED IN THIS DRAWING IS THE SOLE PROPERTY OF MADISON ELECTRIC PRODUCTS, INC. ANY REPRODUCTION IN PART OR AS A WHOLE WITHOUT THE WRITTEN PERMISSION OF MADISON ELECTRIC PRODUCTS, INC. IS PROHIBITED.



MADISON ELECTRIC  
meproducts.net

TITLE:

**SMART BOX  
FAN & FIXTURE BOX**

PART NO.

**MSBFAN**