



DRAFT SEAL 1 GANG KIT

ITEM#: MDSK1G

PRODUCT DESCRIPTION:

1 Gang Draft Seal Kit

APPLICATION:

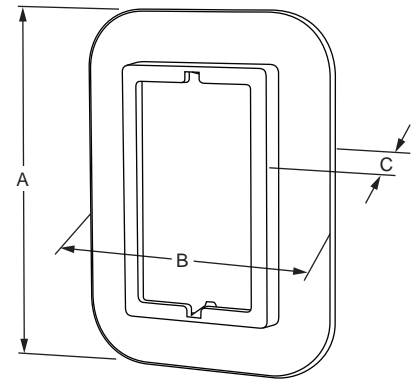
Helps to reduce drafts, vapors and sound transmissions through exterior walls

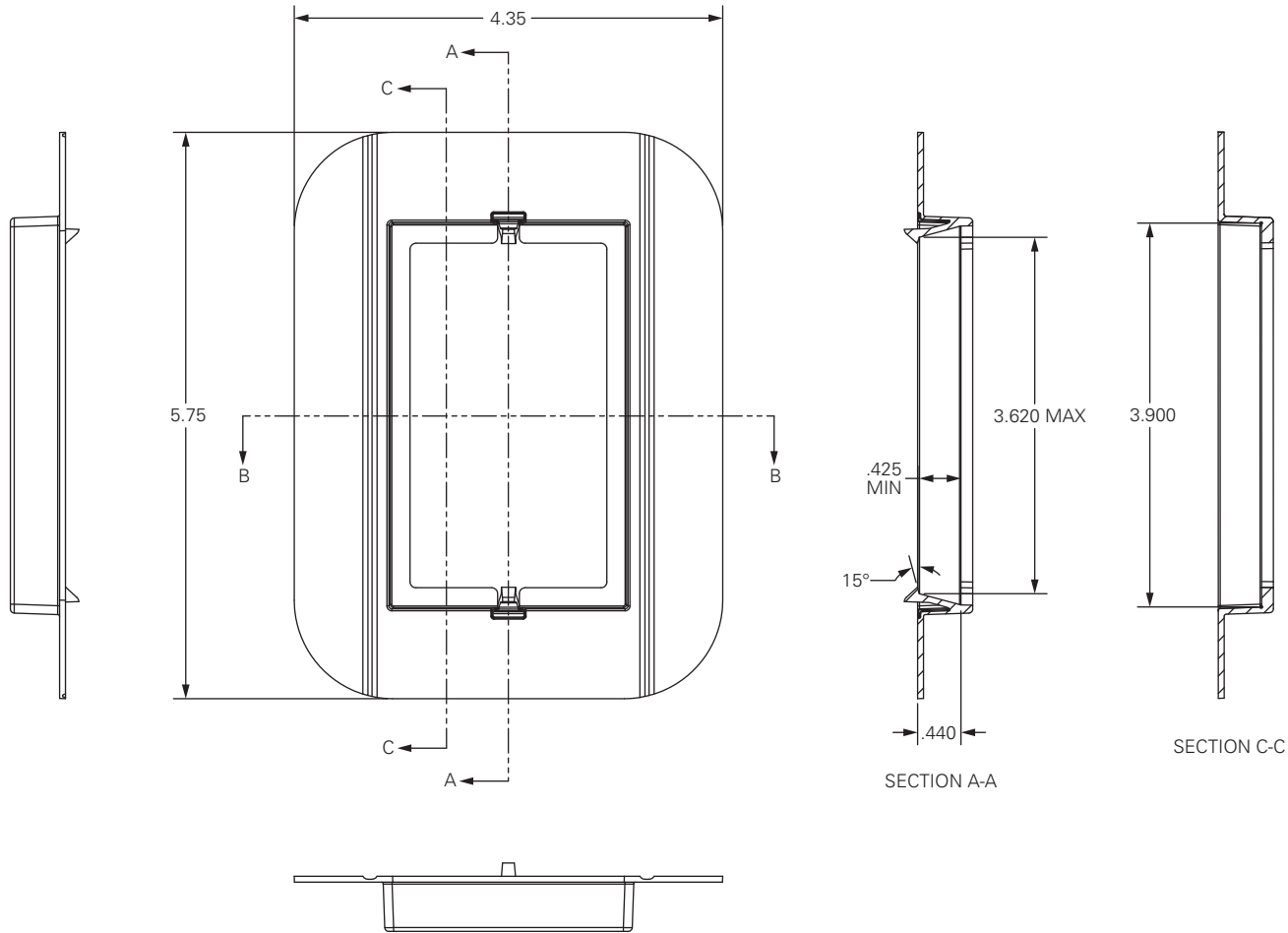
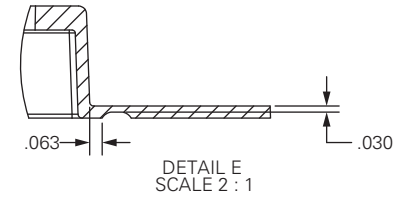
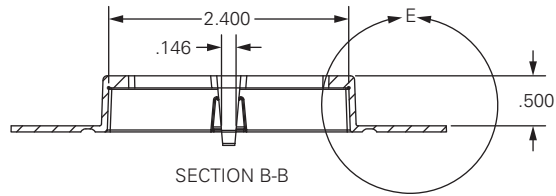
FEATURES:

Works with all standard non-metallic boxes. Green Ring easily identifiable after dry wall install. Eliminates need for caulking & sealants. Complies with the IECC & LEED for envelope sealing. Includes foam gaskets to cover wire ports



ITEM #:	MDSK1G
UPC:	784297022043
COUNTRY OF ORIGIN:	China
MATERIAL:	PVC, foam gaskets
TRADE SIZE:	1 Gang
MASTER CARTON QTY:	48
MASTER WEIGHT:	7.70 lbs.
MASTER HEIGHT:	7.13 in.
MASTER WIDTH:	12.50 in.
MASTER DEPTH:	17.30 in.
INNER CARTON QTY:	12
INNER WEIGHT:	1.75 lbs.
INNER HEIGHT:	6.75 in.
INNER WIDTH:	4.13 in.
INNER DEPTH:	12.30 in.
ITEM WEIGHT:	0.16 lbs.
ITEM HEIGHT (A):	5.75 in.
ITEM WIDTH (B):	4.35 in.
ITEM DEPTH (C):	0.70 in.
TYPE OF INSTALLATION:	New Work
CERTIFICATIONS:	UL Listed





- NOTES**
1. MATERIAL: PVC
 2. UL LISTED
 3. DIMENSIONS ARE IN INCHES

PROPRIETARY & CONFIDENTIAL
 THE INFORMATION CONTAINED IN THIS DRAWING IS THE SOLE PROPERTY OF MADISON ELECTRIC PRODUCTS, INC. ANY REPRODUCTION IN PART OR AS A WHOLE WITHOUT THE WRITTEN PERMISSION OF MADISON ELECTRIC PRODUCTS, INC. IS PROHIBITED.

ME MADISON ELECTRIC
 meproducts.net

TITLE: **DRAFT SEAL 1-GANG KIT**

PART NO. **MDSK1G**



DRAFT SEAL 2 GANG KIT

ITEM#: MDSK2G

PRODUCT DESCRIPTION:

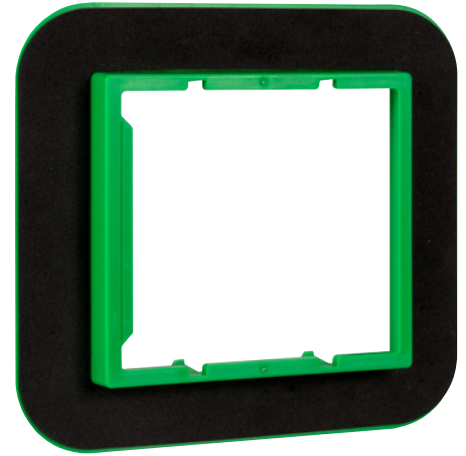
2 Gang Draft Seal Kit

APPLICATION:

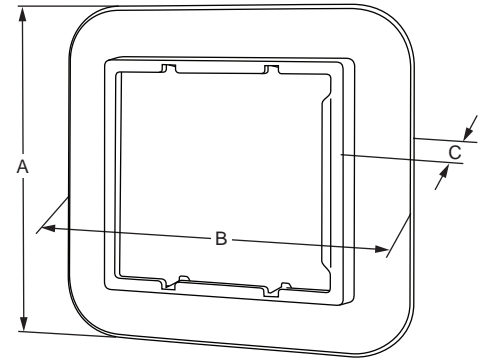
Helps to reduce drafts, vapors and sound transmissions through exterior walls

FEATURES:

Works with all standard non-metallic boxes. Green Ring easily identifiable after dry wall install. Eliminates need for caulking & sealants. Complies with the IECC & LEED for envelope sealing. Includes foam gaskets to cover wire ports

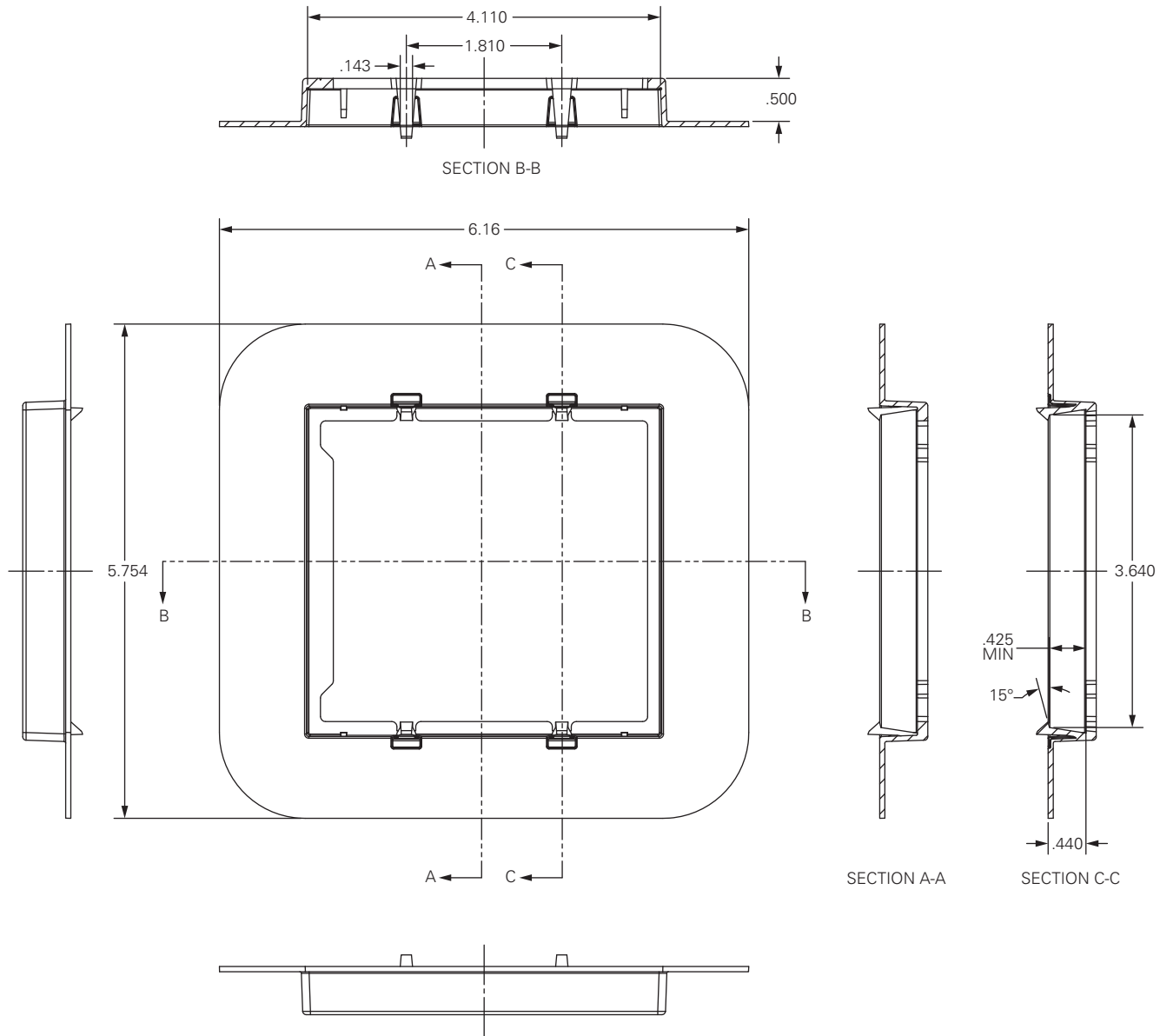


ITEM #:	MDSK2G
UPC:	784297022050
COUNTRY OF ORIGIN:	China
MATERIAL:	PVC, foam gaskets
TRADE SIZE:	2 Gang
MASTER CARTON QTY:	32
MASTER WEIGHT:	6.90 lbs.
MASTER HEIGHT:	7.13 in.
MASTER WIDTH:	12.50 in.
MASTER DEPTH:	17.30 in.
INNER CARTON QTY:	8
INNER WEIGHT:	1.61 lbs.
INNER HEIGHT:	6.75 in.
INNER WIDTH:	4.13 in.
INNER DEPTH:	12.30 in.
ITEM WEIGHT:	0.22 lbs.
ITEM HEIGHT (A):	5.75 in.
ITEM WIDTH (B):	6.16 in.
ITEM DEPTH (C):	0.70 in.
TYPE OF INSTALLATION:	New Work
CERTIFICATIONS:	UL Listed



ME products.net





NOTES

1. MATERIAL: PVC
2. UL LISTED
3. DIMENSIONS ARE IN INCHES

PROPRIETARY & CONFIDENTIAL

THE INFORMATION CONTAINED IN THIS DRAWING IS THE SOLE PROPERTY OF MADISON ELECTRIC PRODUCTS, INC. ANY REPRODUCTION IN PART OR AS A WHOLE WITHOUT THE WRITTEN PERMISSION OF MADISON ELECTRIC PRODUCTS, INC. IS PROHIBITED.



MADISON ELECTRIC
meproducts.net

TITLE:

DRAFT SEAL 2-GANG KIT

PART NO.

MDSK2G



DRAFT SEAL 3 GANG KIT

ITEM#: MDSK3G

PRODUCT DESCRIPTION:

3 Gang Draft Seal Kit

APPLICATION:

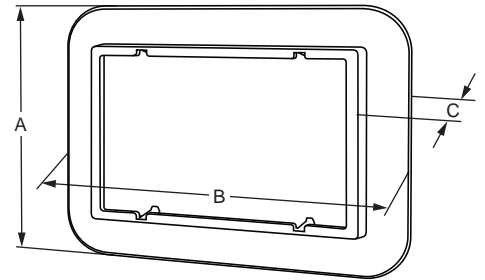
Helps to reduce drafts, vapors and sound transmissions through exterior walls

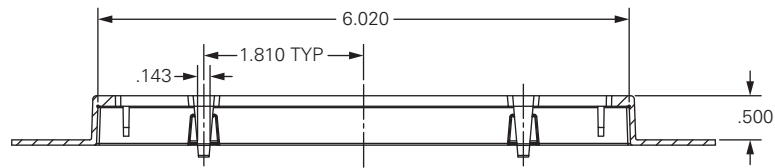
FEATURES:

Works with all standard non-metallic boxes. Green Ring easily identifiable after dry wall install. Eliminates need for caulking & sealants. Complies with the IECC & LEED for envelope sealing. Includes foam gaskets to cover wire ports

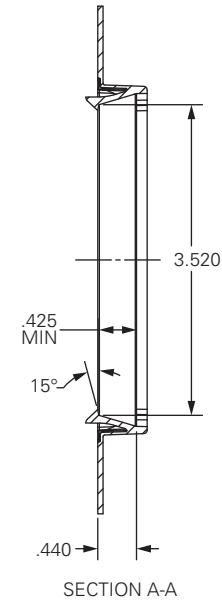
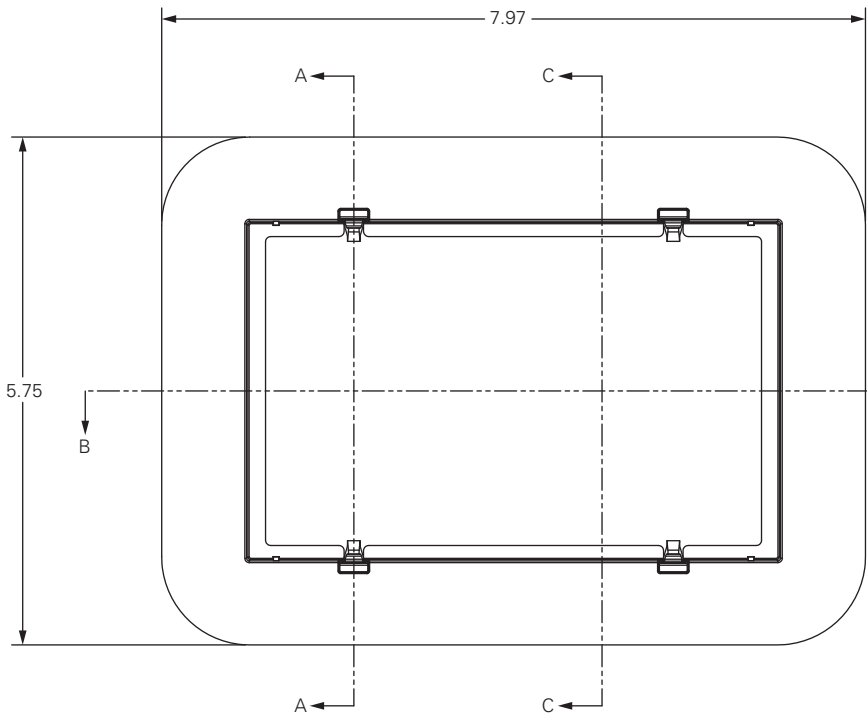


ITEM #:	MDSK3G
UPC:	784297022067
COUNTRY OF ORIGIN:	China
MATERIAL:	PVC, foam gaskets
TRADE SIZE:	3 Gang
MASTER CARTON QTY:	16
MASTER WEIGHT:	4.90 lbs.
MASTER HEIGHT:	7.13 in.
MASTER WIDTH:	12.50 in.
MASTER DEPTH:	17.30 in.
INNER CARTON QTY:	4
INNER WEIGHT:	1.09 lbs.
INNER HEIGHT:	6.75 in.
INNER WIDTH:	4.13 in.
INNER DEPTH:	12.30 in.
ITEM WEIGHT:	0.31 lbs.
ITEM HEIGHT (A):	5.75 in.
ITEM WIDTH (B):	7.97 in.
ITEM DEPTH (C):	0.70 in.
TYPE OF INSTALLATION:	New Work
CERTIFICATIONS:	UL Listed

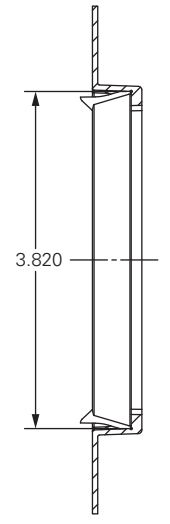




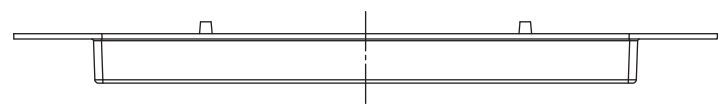
SECTION B-B



SECTION A-A



SECTION C-C



- NOTES**
1. MATERIAL: PVC
 2. UL LISTED
 3. DIMENSIONS ARE IN INCHES

PROPRIETARY & CONFIDENTIAL
 THE INFORMATION CONTAINED IN THIS DRAWING IS THE SOLE PROPERTY OF MADISON ELECTRIC PRODUCTS, INC. ANY REPRODUCTION IN PART OR AS A WHOLE WITHOUT THE WRITTEN PERMISSION OF MADISON ELECTRIC PRODUCTS, INC. IS PROHIBITED.

ME MADISON ELECTRIC
 meproducts.net

TITLE: **DRAFT SEAL 3-GANG KIT**

PART NO. **MDSK3G**



DRAFT SEAL 4 GANG KIT

ITEM#: MDSK4G

PRODUCT DESCRIPTION:

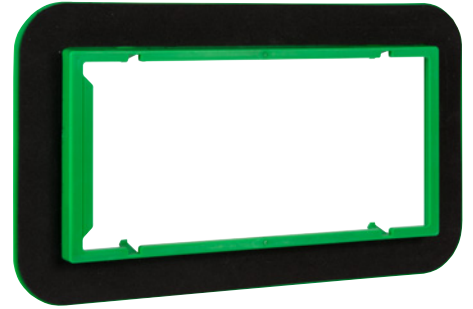
4 Gang Draft Seal Kit

APPLICATION:

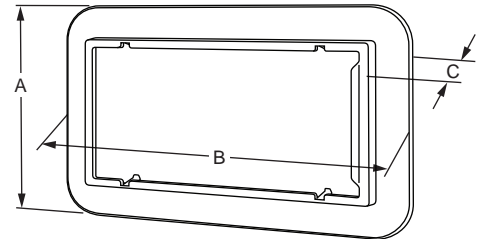
Helps to reduce drafts, vapors and sound transmissions through exterior walls

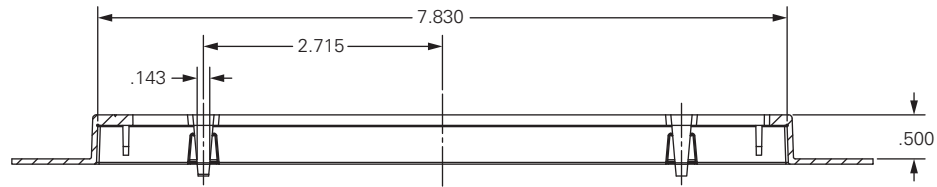
FEATURES:

Works with all standard non-metallic boxes. Green Ring easily identifiable after dry wall install. Eliminates need for caulking & sealants. Complies with the IECC & LEED for envelope sealing. Includes foam gaskets to cover wire ports

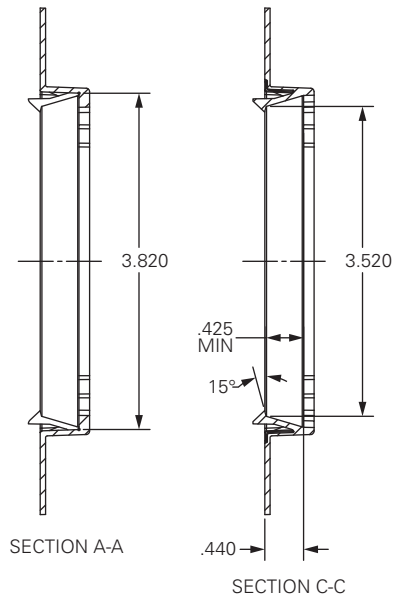
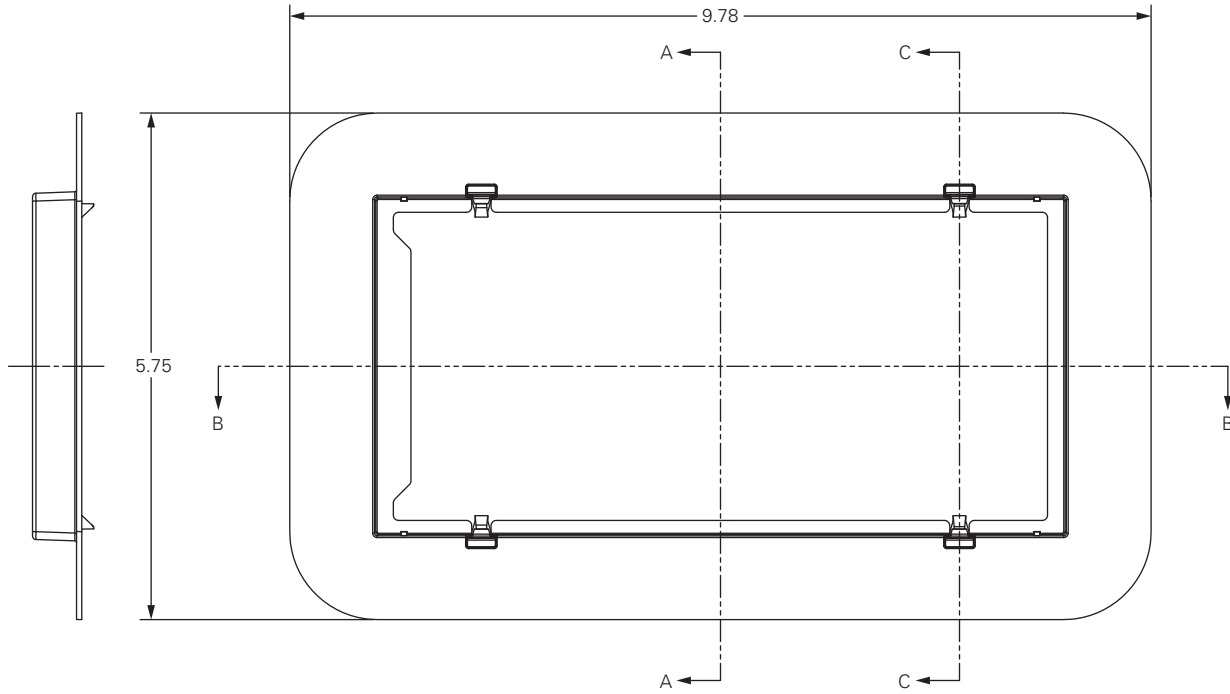


ITEM #:	MDSK4G
UPC:	784297022074
COUNTRY OF ORIGIN:	China
MATERIAL:	PVC, foam gaskets
TRADE SIZE:	4 Gang
MASTER CARTON QTY:	16
MASTER WEIGHT:	5.30 lbs.
MASTER HEIGHT:	7.13 in.
MASTER WIDTH:	12.50 in.
MASTER DEPTH:	17.30 in.
INNER CARTON QTY:	4
INNER WEIGHT:	1.17 lbs.
INNER HEIGHT:	6.75 in.
INNER WIDTH:	4.13 in.
INNER DEPTH:	12.30 in.
ITEM WEIGHT:	0.34 lbs.
ITEM HEIGHT (A):	5.75 in.
ITEM WIDTH (B):	9.78 in.
ITEM DEPTH (C):	0.70 in.
TYPE OF INSTALLATION:	New Work
CERTIFICATIONS:	UL Listed



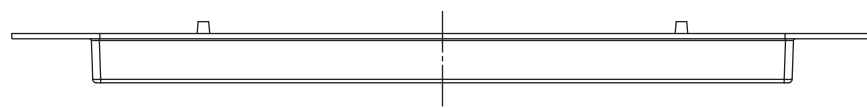


SECTION B-B



SECTION A-A

SECTION C-C



- NOTES**
1. MATERIAL: PVC
 2. UL LISTED
 3. DIMENSIONS ARE IN INCHES

PROPRIETARY & CONFIDENTIAL
 THE INFORMATION CONTAINED IN THIS DRAWING IS THE SOLE PROPERTY OF MADISON ELECTRIC PRODUCTS, INC. ANY REPRODUCTION IN PART OR AS A WHOLE WITHOUT THE WRITTEN PERMISSION OF MADISON ELECTRIC PRODUCTS, INC. IS PROHIBITED.

ME MADISON ELECTRIC
 meproducts.net

TITLE: **DRAFT SEAL 4-GANG KIT**

PART NO. **MDSK4G**



DRAFT SEAL CEILING KIT

ITEM#: MDSKRC

PRODUCT DESCRIPTION:

4/0 Ceiling Draft Seal Kit

APPLICATION:

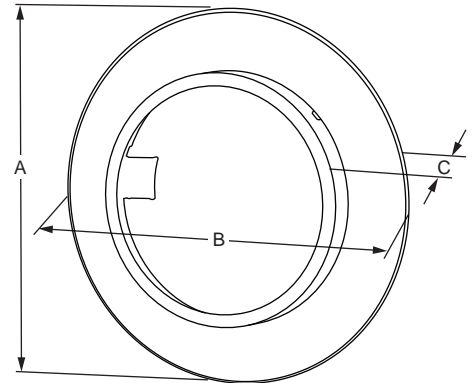
Helps to reduce drafts, vapors and sound transmissions through exterior walls

FEATURES:

Works with all standard non-metallic boxes. Green Ring easily identifiable after dry wall install. Eliminates need for caulking & sealants. Complies with the IECC & LEED for envelope sealing. Includes foam gaskets to cover wire ports

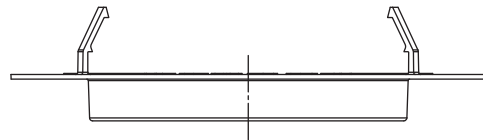
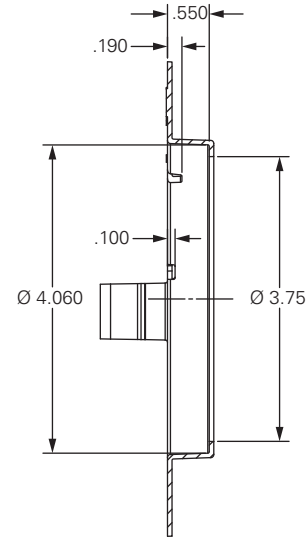
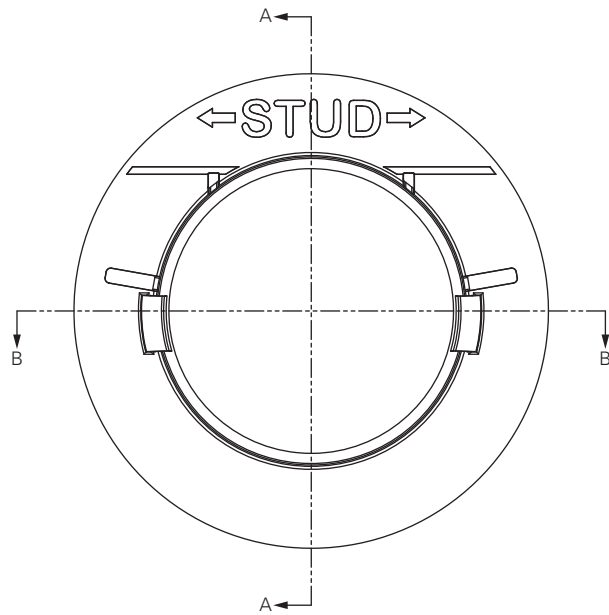
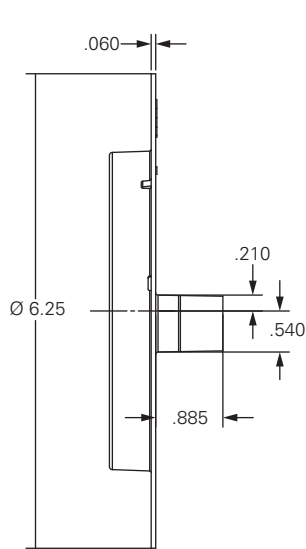
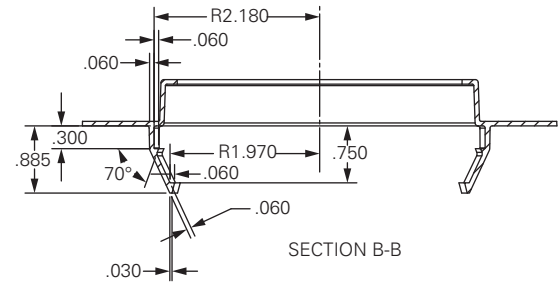
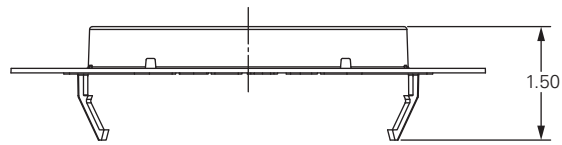


ITEM #:	MDSKRC
UPC:	784297022081
COUNTRY OF ORIGIN:	China
MATERIAL:	PVC, foam gaskets
TRADE SIZE:	4/0 Round
MASTER CARTON QTY:	24
MASTER WEIGHT:	5.30 lbs.
MASTER HEIGHT:	7.13 in.
MASTER WIDTH:	12.50 in.
MASTER DEPTH:	24.30 in.
INNER CARTON QTY:	6
INNER WEIGHT:	1.17 lbs.
INNER HEIGHT:	6.75 in.
INNER WIDTH:	6.13 in.
INNER DEPTH:	12.30 in.
ITEM WEIGHT:	0.25 lbs.
ITEM HEIGHT (A):	6.25 in.
ITEM WIDTH (B):	6.25 in.
ITEM DEPTH (C):	1.50 in.
TYPE OF INSTALLATION:	New Work
CERTIFICATIONS:	UL Listed



ME products.net





- NOTES**
1. MATERIAL: PVC
 2. UL LISTED
 3. DIMENSIONS ARE IN INCHES

PROPRIETARY & CONFIDENTIAL
 THE INFORMATION CONTAINED IN THIS DRAWING IS THE SOLE PROPERTY OF MADISON ELECTRIC PRODUCTS, INC. ANY REPRODUCTION IN PART OR AS A WHOLE WITHOUT THE WRITTEN PERMISSION OF MADISON ELECTRIC PRODUCTS, INC. IS PROHIBITED.

ME MADISON ELECTRIC
 meproducts.net

TITLE: **DRAFT SEAL CEILING KIT**

PART NO. **MDSKRC**