

## CLIP-IT™ 1/2" MC/AC CABLE CLIP

### ITEM#: MAG840

#### PRODUCT DESCRIPTION:

1/2" MC/AC Cable Clip

#### APPLICATION:

Secures MC/AC cable to channel strips

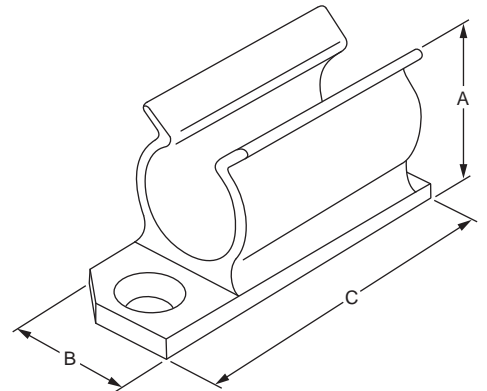
#### FEATURES:

Snap the MC Clip into the Channel Strip or Center Stud Strap, and snap your cables in place. Clip-it keeps your cables tidy. Fits MC/AC cable 12/2 thru 10/3.

Notes: Plenum rated. Suitable for indoor use only. No load rating. Maximum operating temperature rated 80°C.



ITEM #:	MAG840
UPC:	784297017896
COUNTRY OF ORIGIN:	China
MATERIAL:	Polycarbonate
TRADE SIZE:	1/2"
MASTER CARTON QTY:	600
MASTER WEIGHT:	9.15 lbs.
MASTER HEIGHT:	N/A
MASTER WIDTH:	N/A
MASTER DEPTH:	N/A
INNER CARTON QTY:	100
INNER WEIGHT:	1.53 lbs.
INNER HEIGHT:	4.50 in.
INNER WIDTH:	6.06 in.
INNER DEPTH:	5.81 in.
ITEM WEIGHT:	0.02 lbs.
ITEM HEIGHT (A):	N/A
ITEM WIDTH (B):	0.06 in.
ITEM DEPTH (C):	1.78 in.
TYPE OF INSTALLATION:	New Work
CERTIFICATIONS:	cULus Listed



## CLIP-IT™ 1/2" CONDUIT CLIP

ITEM#: MKM28

### PRODUCT DESCRIPTION:

1/2" Conduit Clip

### APPLICATION:

Secures conduit pipe to channel strips

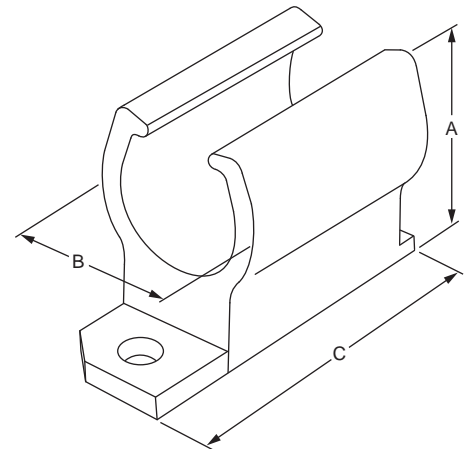
### FEATURES:

Snap the Conduit Clip into the Channel Strip or Center Stud Strap, and snap your cables in place. Clip-it keeps your cables tidy. Fits 1/2" PVC, Rigid and EMT conduit.

Notes: Plenum rated. Suitable for indoor use only. No load rating. Maximum operating temperature rated 80°C.



<b>ITEM #:</b>	MKM28
<b>UPC:</b>	784297017933
<b>COUNTRY OF ORIGIN:</b>	China
<b>MATERIAL:</b>	Polycarbonate
<b>TRADE SIZE:</b>	1/2"
<b>MASTER CARTON QTY:</b>	600
<b>MASTER WEIGHT:</b>	16.55 lbs.
<b>MASTER HEIGHT:</b>	N/A
<b>MASTER WIDTH:</b>	N/A
<b>MASTER DEPTH:</b>	N/A
<b>INNER CARTON QTY:</b>	100
<b>INNER WEIGHT:</b>	2.76 lbs.
<b>INNER HEIGHT:</b>	4.25 in.
<b>INNER WIDTH:</b>	7.94 in.
<b>INNER DEPTH:</b>	7.56 in.
<b>ITEM WEIGHT:</b>	0.03 lbs.
<b>ITEM HEIGHT (A):</b>	1.10 in.
<b>ITEM WIDTH (B):</b>	0.88 in.
<b>ITEM DEPTH (C):</b>	1.78 in.
<b>TYPE OF INSTALLATION:</b>	New Work
<b>CERTIFICATIONS:</b>	cULus Listed





## CLIP-IT™ 3/4" CONDUIT CLIP

ITEM#: MKM30

### PRODUCT DESCRIPTION:

3/4" Conduit Clip

### APPLICATION:

Secures conduit pipe to channel strips

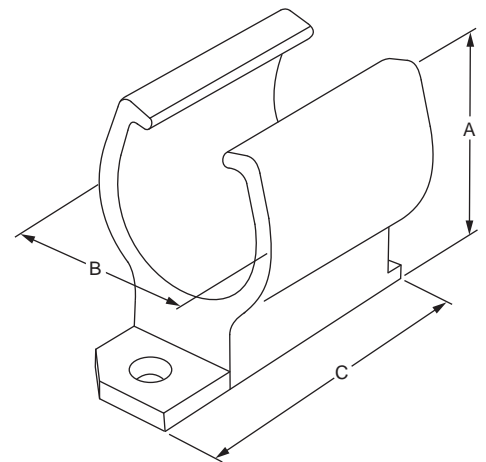
### FEATURES:

Snap the Conduit Clip into the Channel Strip or Center Stud Strap, and snap your cables in place. Clip-it keeps your cables tidy. Fits 3/4" PVC, Rigid and EMT conduit.

Notes: Plenum rated. Suitable for indoor use only. No load rating. Maximum operating temperature rated 80°C.



ITEM #:	MKM30
UPC:	784297017988
COUNTRY OF ORIGIN:	China
MATERIAL:	Polycarbonate
TRADE SIZE:	3/4"
MASTER CARTON QTY:	600
MASTER WEIGHT:	19.05 lbs.
MASTER HEIGHT:	N/A
MASTER WIDTH:	N/A
MASTER DEPTH:	N/A
INNER CARTON QTY:	100
INNER WEIGHT:	3.18 lbs.
INNER HEIGHT:	6.13 in.
INNER WIDTH:	7.81 in.
INNER DEPTH:	7.69 in.
ITEM WEIGHT:	0.03 lbs.
ITEM HEIGHT (A):	1.32 in.
ITEM WIDTH (B):	1.09 in.
ITEM DEPTH (C):	1.78 in.
TYPE OF INSTALLATION:	New Work
CERTIFICATIONS:	cULus Listed



## CLIP-IT™ 1" CONDUIT CLIP

ITEM#: MKM32

### PRODUCT DESCRIPTION:

1" Conduit Clip

### APPLICATION:

Secures conduit pipe to channel strips

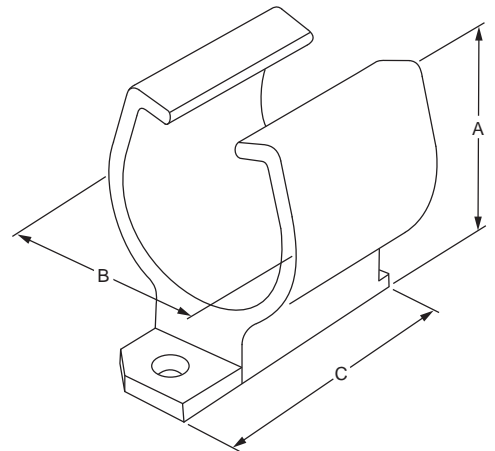
### FEATURES:

Snap the Conduit Clip into the Channel Strip or Center Stud Strap, and snap your cables in place. Clip-it keeps your cables tidy. Fits 1" PVC, Rigid and EMT conduit.

Notes: Plenum rated. Suitable for indoor use only. No load rating. Maximum operating temperature rated 80°C.



ITEM #:	MKM32
UPC:	784297017971
COUNTRY OF ORIGIN:	China
MATERIAL:	Polycarbonate
TRADE SIZE:	1"
MASTER CARTON QTY:	600
MASTER WEIGHT:	22.25 lbs.
MASTER HEIGHT:	N/A
MASTER WIDTH:	N/A
MASTER DEPTH:	N/A
INNER CARTON QTY:	100
INNER WEIGHT:	3.71 lbs.
INNER HEIGHT:	8.13 in.
INNER WIDTH:	7.81 in.
INNER DEPTH:	7.69 in.
ITEM WEIGHT:	0.04 lbs.
ITEM HEIGHT (A):	1.55 in.
ITEM WIDTH (B):	1.32 in.
ITEM DEPTH (C):	1.78 in.
TYPE OF INSTALLATION:	New Work
CERTIFICATIONS:	cULus Listed



## CLIP-IT™ BAR JOIST CLIP

### ITEM#: MJV-840

#### PRODUCT DESCRIPTION:

Bar Joist Clip

#### APPLICATION:

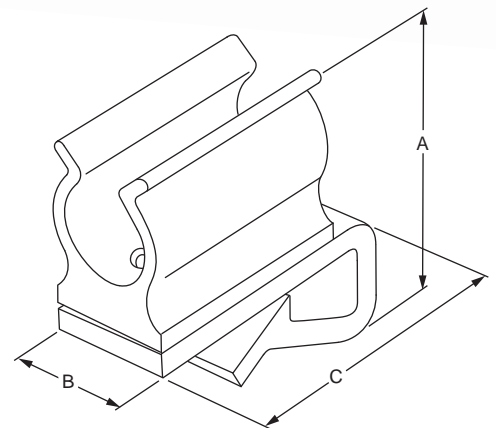
Secures MC/AC cable

#### FEATURES:

The Bar Joist Clip is the easiest way to run your MC/AC cable. No need for a beam clamp. No tools necessary. Snap it on to a beam or bar joist on and you are ready to install. 360° swivel head and patented rifling. Fits MC/AC cable 12/2 thru 10/3. Notes: Plenum rated. Suitable for indoor use only. No load rating. Maximum operating temperature rated 80°C.



<b>ITEM #:</b>	MJV-840
<b>UPC:</b>	784297018114
<b>COUNTRY OF ORIGIN:</b>	China
<b>MATERIAL:</b>	Polycarbonate
<b>TRADE SIZE:</b>	1/2"
<b>MASTER CARTON QTY:</b>	600
<b>MASTER WEIGHT:</b>	16.20 lbs.
<b>MASTER HEIGHT:</b>	N/A
<b>MASTER WIDTH:</b>	N/A
<b>MASTER DEPTH:</b>	N/A
<b>INNER CARTON QTY:</b>	100
<b>INNER WEIGHT:</b>	2.70 lbs.
<b>INNER HEIGHT:</b>	4.50 in.
<b>INNER WIDTH:</b>	7.08 in.
<b>INNER DEPTH:</b>	7.56 in.
<b>ITEM WEIGHT:</b>	0.03 lbs.
<b>ITEM HEIGHT (A):</b>	1.54 in.
<b>ITEM WIDTH (B):</b>	0.64 in.
<b>ITEM DEPTH (C):</b>	1.54 in.
<b>TYPE OF INSTALLATION:</b>	New Work
<b>CERTIFICATIONS:</b>	cULus Listed





# CLIP-IT™ 20" CHANNEL STRIP

## ITEM#: MRN236

### PRODUCT DESCRIPTION:

20" Channel Strip

### APPLICATION:

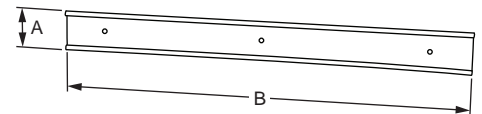
Secures channel clips to wall

### FEATURES:

Snap MC and conduit clips into the Channel Strip and snap your cables in place. Channel Strip comes in standard 20 in. lengths and can be cut to your required size. With only three screws, you have the flexibility to support up to 20 cables at a time. Fits MC/AC cable 12/2 thru 10/3. Fits 1/2" thru 1" PVC, Rigid and EMT conduit. Notes: Plenum rated. Suitable for indoor use only. No load rating. Maximum operating temperature rated 80°C.



<b>ITEM #:</b>	MRN236
<b>UPC:</b>	784297017902
<b>COUNTRY OF ORIGIN:</b>	China
<b>MATERIAL:</b>	Polycarbonate
<b>TRADE SIZE:</b>	20"
<b>MASTER CARTON QTY:</b>	250
<b>MASTER WEIGHT:</b>	44.85 lbs.
<b>MASTER HEIGHT:</b>	N/A
<b>MASTER WIDTH:</b>	N/A
<b>MASTER DEPTH:</b>	N/A
<b>INNER CARTON QTY:</b>	10
<b>INNER WEIGHT:</b>	1.79 lbs.
<b>INNER HEIGHT:</b>	N/A
<b>INNER WIDTH:</b>	N/A
<b>INNER DEPTH:</b>	N/A
<b>ITEM WEIGHT:</b>	0.18 lbs.
<b>ITEM HEIGHT (A):</b>	1.94 in.
<b>ITEM WIDTH (B):</b>	20.00 in.
<b>ITEM DEPTH (C):</b>	0.29 in.
<b>TYPE OF INSTALLATION:</b>	New Work
<b>CERTIFICATIONS:</b>	cULus Listed





# CLIP-IT™ 14" CENTER STUD STRAP

ITEM#: MRN237

**PRODUCT DESCRIPTION:**

14" Center Stud Strap

**APPLICATION:**

Secures channel clips in between studs

**FEATURES:**

Snap MC and conduit clips into the Center Stud Strap and snap your cables in place. Center Stud Strap adjusts to fit between 2 studs. Fits MC/AC cable 12/2 thru 10/3. Fits 1/2" thru 1" PVC, Rigid and EMT conduit.

Notes: Plenum rated. Suitable for indoor use only. No load rating. Maximum operating temperature rated 80°C.



ITEM #:	MRN237
UPC:	784297019784
COUNTRY OF ORIGIN:	China
MATERIAL:	Polycarbonate
TRADE SIZE:	14"
MASTER CARTON QTY:	40
MASTER WEIGHT:	20.50 lbs.
MASTER HEIGHT:	N/A
MASTER WIDTH:	N/A
MASTER DEPTH:	N/A
INNER CARTON QTY:	5
INNER WEIGHT:	2.56 lbs.
INNER HEIGHT:	N/A
INNER WIDTH:	N/A
INNER DEPTH:	N/A
ITEM WEIGHT:	0.51 lbs.
ITEM HEIGHT (A):	N/A
ITEM WIDTH (B):	N/A
ITEM DEPTH (C):	N/A
TYPE OF INSTALLATION:	New Work
CERTIFICATIONS:	N/A

