



CLIP-IT™ 3 CIRCUIT STUD STRAP

ITEM#: MS-AK250

PRODUCT DESCRIPTION:

3 Circuit Strap

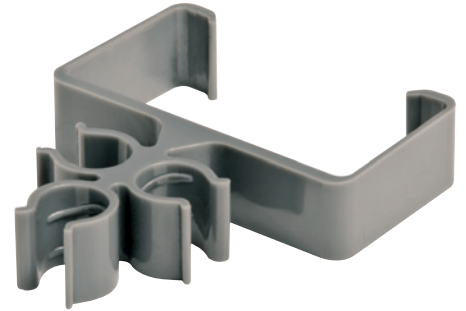
APPLICATION:

Secures MC/AC cable to studs

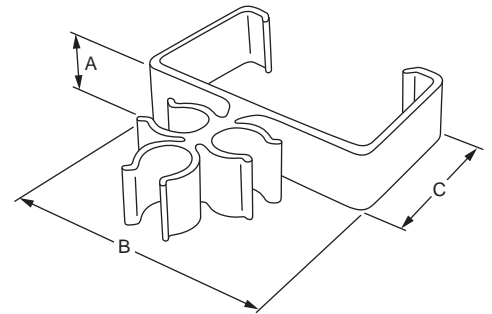
FEATURES:

Holds MC/AC cable 12/2 through 10/3, eliminating the unsightly sagging you get with other supports. Can be used universally. Fits MC/AC cable 12/2 thru 10/3.

Notes: Suitable for indoor use only. No load rating. Maximum operating temperature rated 80°C.



ITEM #:	MS-AK250
UPC:	784297019005
COUNTRY OF ORIGIN:	China
MATERIAL:	Polycarbonate
TRADE SIZE:	2-1/2"
MASTER CARTON QTY:	720
MASTER WEIGHT:	24.00 lbs.
MASTER HEIGHT:	N/A
MASTER WIDTH:	N/A
MASTER DEPTH:	N/A
INNER CARTON QTY:	120
INNER WEIGHT:	4.00 lbs.
INNER HEIGHT:	6.75 in.
INNER WIDTH:	11.06 in.
INNER DEPTH:	4.44 in.
ITEM WEIGHT:	0.03 lbs.
ITEM HEIGHT (A):	0.63 in.
ITEM WIDTH (B):	2.61 in.
ITEM DEPTH (C):	1.49 in.
TYPE OF INSTALLATION:	New Work
CERTIFICATIONS:	cULus Listed





CLIP-IT™ 2 CIRCUIT LOW VOLTAGE STUD STRAP

ITEM#: MS-AK02LV

PRODUCT DESCRIPTION:

2 Circuit Low Voltage Strap

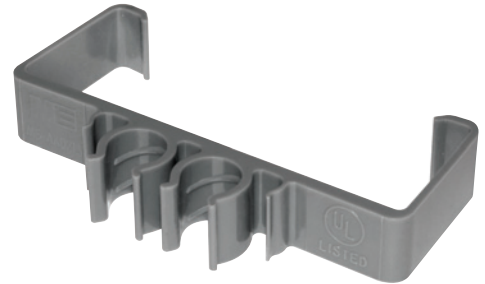
APPLICATION:

Secures MC/AC cable to studs

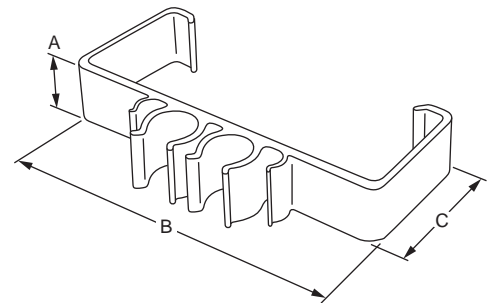
FEATURES:

Holds MC/AC cable 12/2 through 10/3, eliminating the unsightly sagging you get with other supports. Can be used universally. Fits MC/AC cable 12/2 thru 10/3, and low voltage cable.

Notes: Suitable for indoor use only. No load rating. Maximum operating temperature rated 80°C.



ITEM #:	MS-AK02LV
UPC:	784297020025
COUNTRY OF ORIGIN:	China
MATERIAL:	Polycarbonate
TRADE SIZE:	4"
MASTER CARTON QTY:	600
MASTER WEIGHT:	18.45 lbs.
MASTER HEIGHT:	N/A
MASTER WIDTH:	N/A
MASTER DEPTH:	N/A
INNER CARTON QTY:	100
INNER WEIGHT:	3.08 lbs.
INNER HEIGHT:	7.00 in.
INNER WIDTH:	12.06 in.
INNER DEPTH:	4.38 in.
ITEM WEIGHT:	0.03 lbs.
ITEM HEIGHT (A):	0.63 in.
ITEM WIDTH (B):	3.75 in.
ITEM DEPTH (C):	1.49 in.
TYPE OF INSTALLATION:	New Work
CERTIFICATIONS:	cULus Listed





CLIP-IT™ 2 CIRCUIT HORIZONTAL STUD STRAP

ITEM#: MH-AK02

PRODUCT DESCRIPTION:

2 Circuit Horizontal Strap

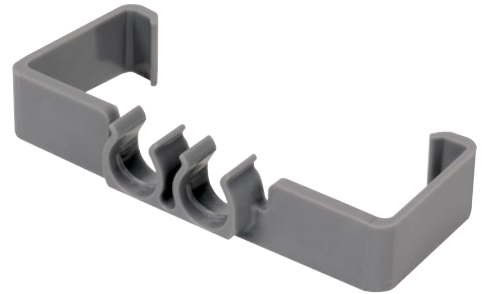
APPLICATION:

Secures MC/AC cable to studs

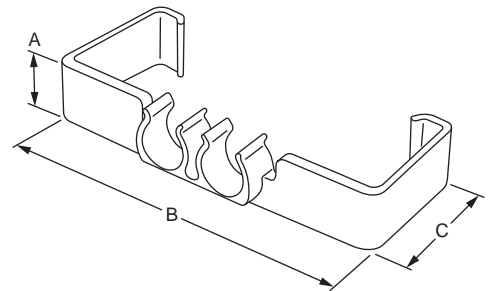
FEATURES:

Holds MC/AC cable 12/2 through 10/3, eliminating the unsightly sagging you get with other supports. Can be used universally. Fits MC/AC cable 12/2 thru 10/3.

Notes: Suitable for indoor use only. No load rating. Maximum operating temperature rated 80°C.



ITEM #:	MH-AK02
UPC:	784297018091
COUNTRY OF ORIGIN:	China
MATERIAL:	Polycarbonate
TRADE SIZE:	4"
MASTER CARTON QTY:	600
MASTER WEIGHT:	6.38 lbs.
MASTER HEIGHT:	N/A
MASTER WIDTH:	N/A
MASTER DEPTH:	N/A
INNER CARTON QTY:	100
INNER WEIGHT:	1.06 lbs.
INNER HEIGHT:	6.75 in.
INNER WIDTH:	11.06 in.
INNER DEPTH:	4.44 in.
ITEM WEIGHT:	0.01 lbs.
ITEM HEIGHT (A):	0.73 in.
ITEM WIDTH (B):	3.75 in.
ITEM DEPTH (C):	1.75 in.
TYPE OF INSTALLATION:	New Work
CERTIFICATIONS:	cULus Listed





CLIP-IT™ 4 CIRCUIT STUD STRAP

ITEM#: MAK6-4

PRODUCT DESCRIPTION:

4 Circuit Strap

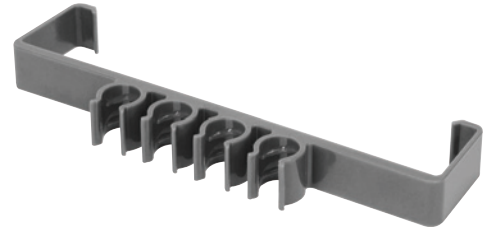
APPLICATION:

Secures MC/AC cable to studs

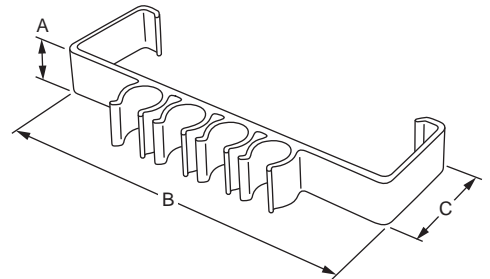
FEATURES:

Holds MC/AC cable 12/2 through 10/3, eliminating the unsightly sagging you get with other supports. Can be used universally. Fits MC/AC cable 12/2 thru 10/3.

Notes: Suitable for indoor use only. No load rating. Maximum operating temperature rated 80°C.



ITEM #:	MAK6-4
UPC:	784297018107
COUNTRY OF ORIGIN:	China
MATERIAL:	Polycarbonate
TRADE SIZE:	6"
MASTER CARTON QTY:	600
MASTER WEIGHT:	28.90 lbs.
MASTER HEIGHT:	N/A
MASTER WIDTH:	N/A
MASTER DEPTH:	N/A
INNER CARTON QTY:	100
INNER WEIGHT:	4.82 lbs.
INNER HEIGHT:	6.75 in.
INNER WIDTH:	12.19 in.
INNER DEPTH:	6.75 in.
ITEM WEIGHT:	0.05 lbs.
ITEM HEIGHT (A):	0.63 in.
ITEM WIDTH (B):	6.13 in.
ITEM DEPTH (C):	0.76 in.
TYPE OF INSTALLATION:	New Work
CERTIFICATIONS:	cULus Listed





CLIP-IT™ 1 CIRCUIT PIGGY-BACK CLIP STUD STRAP

ITEM#: MBD214-1

PRODUCT DESCRIPTION:

1 CIRCUIT PIGGY-BACK CLIP

APPLICATION:

Secures MC/AC cable to studs

FEATURES:

Holds MC/AC cable 12/2 through 10/3, eliminating the unsightly sagging you get with other supports. Can be used universally. Fits MC/AC cable 12/2 thru 10/3.

Notes: Suitable for indoor use only. No load rating. Maximum operating temperature rated 80°C.



ITEM #:	MBD214-1
UPC:	784297018589
COUNTRY OF ORIGIN:	China
MATERIAL:	Polycarbonate
TRADE SIZE:	1/2"
MASTER CARTON QTY:	2000
MASTER WEIGHT:	8.60 lbs.
MASTER HEIGHT:	N/A
MASTER WIDTH:	N/A
MASTER DEPTH:	N/A
INNER CARTON QTY:	100
INNER WEIGHT:	0.43 lbs.
INNER HEIGHT:	2.75 in.
INNER WIDTH:	4.94 in.
INNER DEPTH:	3.88 in.
ITEM WEIGHT:	0.01 lbs.
ITEM HEIGHT (A):	0.63 in.
ITEM WIDTH (B):	0.67 in.
ITEM DEPTH (C):	0.85 in.
TYPE OF INSTALLATION:	New Work
CERTIFICATIONS:	N/A

