

WIRE BRACKET CABLE SUPPORTING DEVICE

ITEM#: WB200

PRODUCT DESCRIPTION:

Wire Bracket Cable Supporting Device

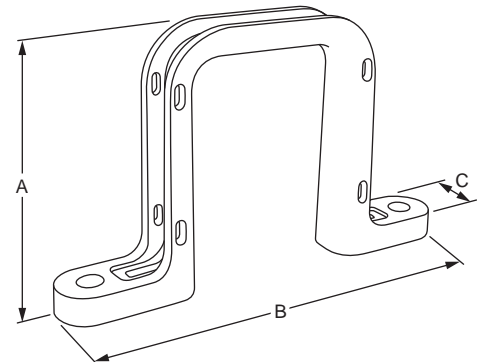
APPLICATION:

Allows flexible and custom raceway design for line voltage and low voltage cable

FEATURES:

Dual purpose line voltage and low voltage cable supporting device. Install fewer staples and reduce the possibility of increased resistance that may trip Arc Fault & GFI breakers. Cable ties separate groups of cables, allowing more cables to be installed in a single device. Device corner holes allow cable ties to be installed. A smooth interior surface is suitable for wire pulling, especially for long distance pulls.

Notes: For residential and commercial use. Mounting holes accept tap cons, 1/4 bolts for beam clamps and light hilti loads (1.5" nail with fender washer). MC does not require cable ties when 10 or less cables are in device. Low voltage cables do not require cable ties.



| | |
|------------------------------|---------------------|
| ITEM #: | WB200 |
| UPC: | 784297024108 |
| COUNTRY OF ORIGIN: | United States |
| MATERIAL: | Nylon |
| TRADE SIZE: | 2" |
| MASTER CARTON QTY: | 25 |
| MASTER WEIGHT: | 2.10 lbs. |
| MASTER HEIGHT: | 5.13 in. |
| MASTER WIDTH: | 7.44 in. |
| MASTER DEPTH: | 9.06 in. |
| INNER CARTON QTY: | N/A |
| INNER WEIGHT: | N/A |
| INNER HEIGHT: | N/A |
| INNER WIDTH: | N/A |
| INNER DEPTH: | N/A |
| ITEM WEIGHT: | 0.08 lbs. |
| ITEM HEIGHT (A): | 2.83 in. |
| ITEM WIDTH (B): | 4.80 in. |
| ITEM DEPTH (C): | 0.75 in. |
| TYPE OF INSTALLATION: | New Work & Old Work |
| CERTIFICATIONS: | UL Listed |