



SMART SHIELD NAIL GUARD

ITEM#: MNG5B

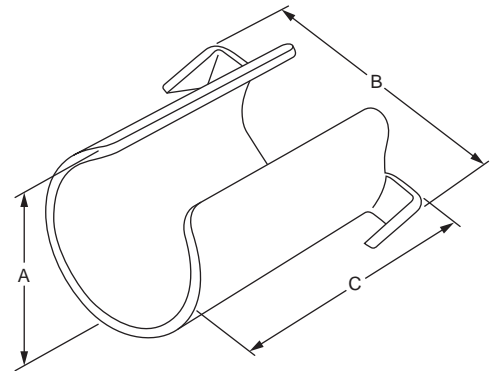
PRODUCT DESCRIPTION:
Smart Shield Nail Guard 5pc Bag

APPLICATION:
Protects wire and cable in wood framing

FEATURES:
Smart Shield is a unique cylindrical nail guard that houses wire and cable for better protection from both sides of the stud, eliminating the need for multiple standard nail plates. It is faster and easier to install, and eliminates drywall budge caused by using surface mounted nail plates. It won't bend when installing like flat plates, and is resistant to direct strikes from nail guns and screws. Can be installed before or after cable is placed.



ITEM #:	MNG5B
UPC:	784297024252
COUNTRY OF ORIGIN:	Turkey
MATERIAL:	Zinc Plated Steel
TRADE SIZE:	1"
MASTER CARTON QTY:	20 bags (5 pcs/bag)
MASTER WEIGHT:	7.20 lbs.
MASTER HEIGHT:	7.13 in.
MASTER WIDTH:	5.38 in.
MASTER DEPTH:	9.19 in.
INNER CARTON QTY:	1
INNER WEIGHT:	0.36
INNER HEIGHT:	7.25 in.
INNER WIDTH:	1.50 in.
INNER DEPTH:	5.25 in.
ITEM WEIGHT:	0.07 lbs.
ITEM HEIGHT (A):	0.90 in.
ITEM WIDTH (B):	1.50 in.
ITEM DEPTH (C):	1.61 in.
TYPE OF INSTALLATION:	New Work
CERTIFICATIONS:	cULus Listed





SMART SHIELD NAIL GUARD

ITEM#: MNG100

PRODUCT DESCRIPTION:
Smart Shield Nail Guard

APPLICATION:
Protects wire and cable in wood framing

FEATURES:
Smart Shield is a unique cylindrical nail guard that houses wire and cable for better protection from both sides of the stud, eliminating the need for multiple standard nail plates. It is faster and easier to install, and eliminates drywall budge caused by using surface mounted nail plates. It won't bend when installing like flat plates, and is resistant to direct strikes from nail guns and screws. Can be installed before or after cable is placed.



ITEM #:	MNG100
UPC:	784297024245
COUNTRY OF ORIGIN:	Turkey
MATERIAL:	Zinc Plated Steel
TRADE SIZE:	1"
MASTER CARTON QTY:	100
MASTER WEIGHT:	7.10 lbs.
MASTER HEIGHT:	6.13 in.
MASTER WIDTH:	6.19 in.
MASTER DEPTH:	6.19 in.
INNER CARTON QTY:	N/A
INNER WEIGHT:	N/A
INNER HEIGHT:	N/A
INNER WIDTH:	N/A
INNER DEPTH:	N/A
ITEM WEIGHT:	0.07 lbs.
ITEM HEIGHT (A):	0.90 in.
ITEM WIDTH (B):	1.50 in.
ITEM DEPTH (C):	1.61 in.
TYPE OF INSTALLATION:	New Work
CERTIFICATIONS:	cULus Listed

