

## MEIBB INSTRUCTION MANUAL

### 1 LOCKNUT

Hand tighten + 1/4 turn

### 2 BONDING CONDUCTORS

Up to six (6) size #10-#14 AWG solid or stranded

### 3 INSPECTION WINDOW

Verify that end of bonding conductor is visible in the inspection window

### 4 GROUND SYMBOL

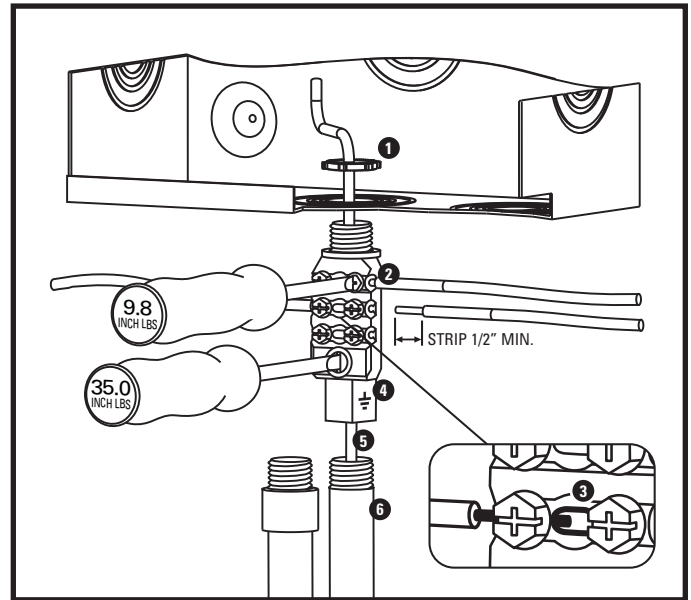
Ensure device is mounted with ground symbols facing forward

### 5 MAIN GROUND CONDUCTOR

Size #6 - #4 AWG bare copper wire

### 6 OPTIONAL

Metallic or non-metallic tubing (not included)



### APPLICATIONS

- Provides a dependable method for grounding and bonding for electrical systems
- Typical applications: communications, solar, cable, and transmission lines
- When used with conduit, provides protection against damage and theft of main ground

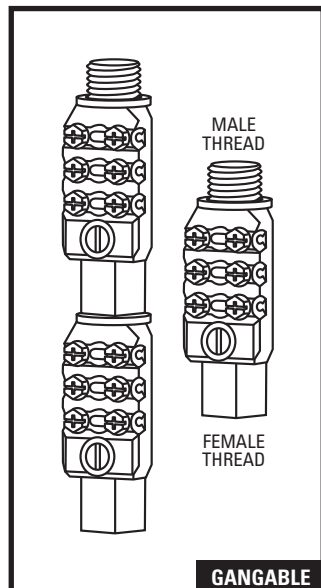
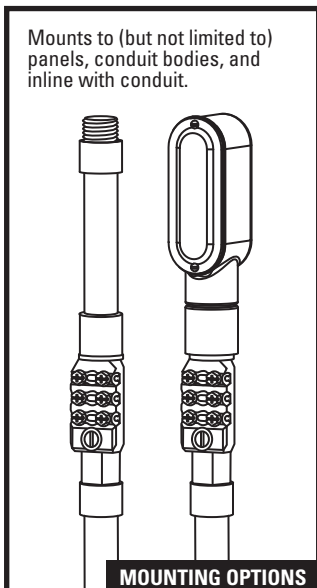
### FEATURES & BENEFITS

- Designed for indoor and outdoor use
- Incorporates six (6) terminating points (2x the amount required by the NEC)
- The main ground conductor is isolated from the communications lines
- Easy installation
- Eliminates creating holes in building that could allow ingress of water

### ⚠ ATTENTION:

**ALL WIRING MUST BE ACCORDING TO NEC, STATE AND LOCAL CODES.**

**THIS PRODUCT SHOULD ONLY BE INSTALLED AND SERVICED BY A QUALIFIED PROFESSIONAL.**



# MEIBB™

## BONDING BRIDGE