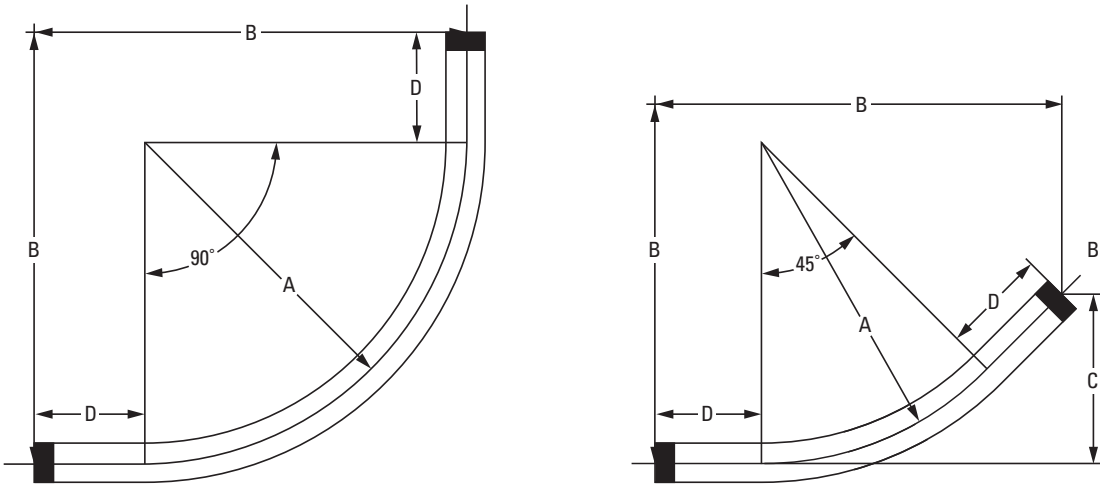




Large Radius Rigid Galvanized Elbows – ELR Series

We hereby certify that the large radius Rigid Galvanized Elbows were manufactured, sampled, tested, and inspected in accordance with the latest editions of the applicable listing and were found to meet these requirements.

- Manufactured from mild steel & hot dipped galvanized – or – electro-plated zinc
- Manufactured per Underwriters Laboratories Standard for Electrical Rigid Metal Conduit-Steel, Std UL6, UL File #E160590; NPT Effective Threads per ANSI B1.20.1
- Country of Origin: China



TRADE SIZE	RADIUS (A)		OFFSET (B)		OFFSET (C)		STRAIGHT (D)		
	in	mm	in	mm	in	mm	in	mm	
90°	ELR-2009024C	24	609.60	35.16	893.06	N/A	N/A	11.16	283.46
	ELR-2009036C	36	914.40	47.74	1212.60	N/A	N/A	11.74	298.20
	ELR-2009048C	48	1219.20	60.32	1532.13	N/A	N/A	12.32	312.93
	ELR-2509024C	24	609.60	35.16	893.06	N/A	N/A	11.16	283.46
	ELR-2509036C	36	914.40	47.74	1212.60	N/A	N/A	11.74	298.20
	ELR-2509048C	48	1219.20	60.32	1532.13	N/A	N/A	12.32	312.93
	ELR-3009024C	24	609.60	35.16	893.06	N/A	N/A	11.16	283.46
	ELR-3009036C	36	914.40	47.74	1212.60	N/A	N/A	11.74	298.20
	ELR-3009048C	48	1219.20	60.32	1532.13	N/A	N/A	12.32	312.93
	ELR-4009024C	24	609.60	35.16	893.06	N/A	N/A	11.16	283.46
	ELR-4009036C	36	914.40	47.74	1212.60	N/A	N/A	11.74	298.20
	ELR-4009048C	48	1219.20	60.32	1532.13	N/A	N/A	12.32	312.93
	ELR-5009036C	36	914.40	47.74	1212.60	N/A	N/A	11.74	298.20
	ELR-5009048C	48	1219.20	60.32	1532.13	N/A	N/A	12.32	312.93
	ELR-6009036C	36	914.40	47.74	1212.60	N/A	N/A	11.74	298.20
	ELR-6009048C	48	1219.20	60.32	1532.13	N/A	N/A	12.32	312.93
45°	ELR-4004536C	36	914.40	45.49	1155.35	18.84	478.56	11.74	298.20
	ELR-6004536C	36	914.40	45.49	1155.35	18.84	478.56	11.74	298.20

