



1-1/4" SMART LB CONDUIT BODY DIE-CAST ALUMINUM

ITEM#: KBLB120

PRODUCT DESCRIPTION:

1-1/4" Die-cast Aluminum Conduit Body

APPLICATION:

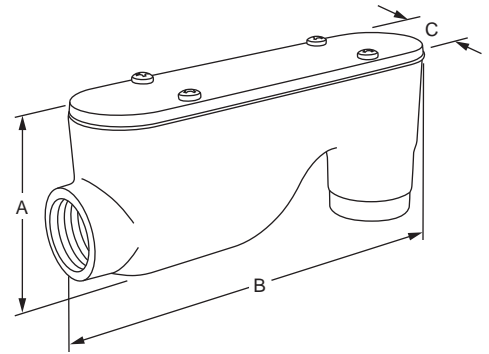
For ease of installation of Optical Fiber Cable

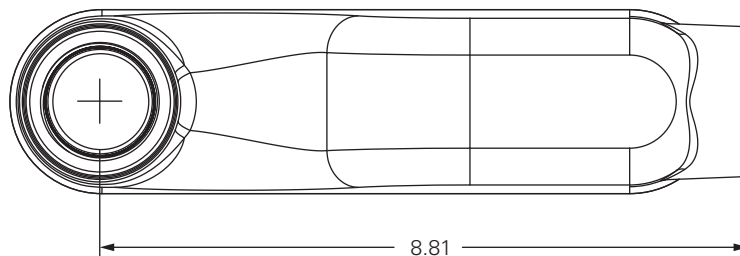
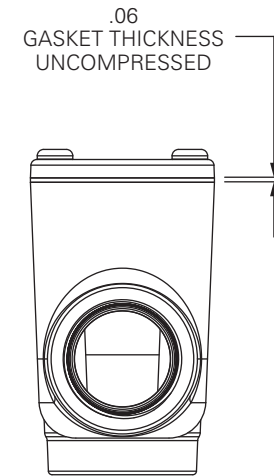
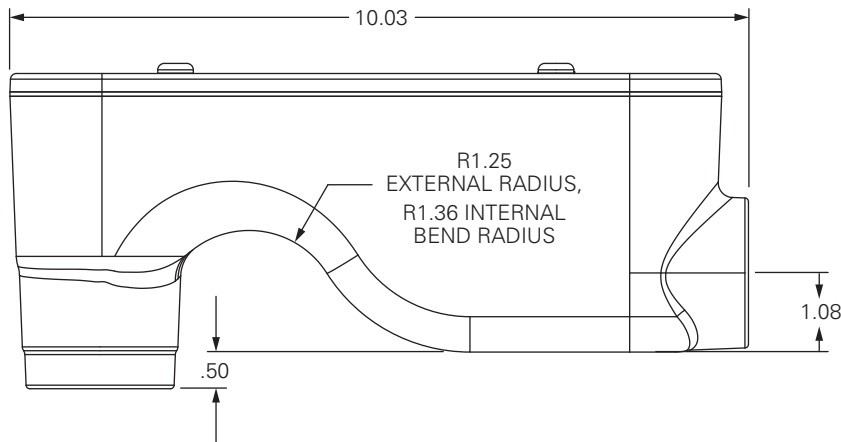
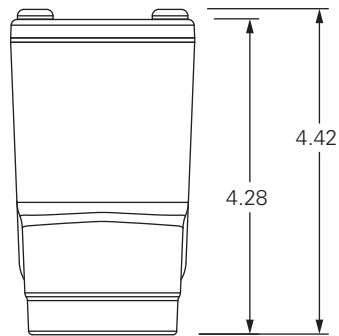
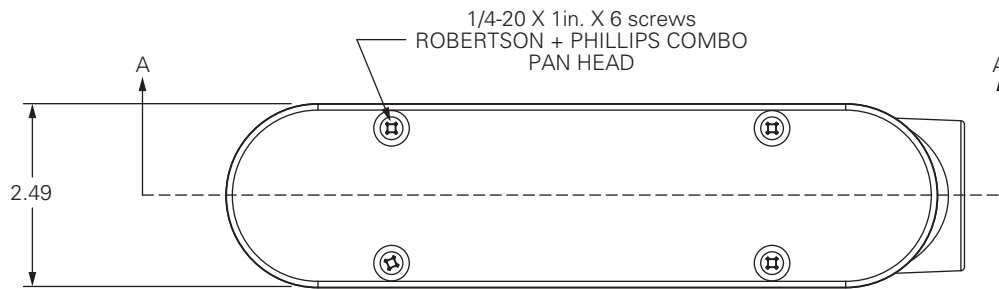
FEATURES:

For use with EMT, IMC, Rigid conduit or LT Flexible conduit & fittings. Suitable for indoor/outdoor (OSP) & plenum use. Built in radius helps prevent cables from getting damaged. Includes gasketed cover for wet locations. Meets minimum bend radius of ANSI/TIA/EIA 568 & NECA/FOA. Recommended by BICSI TDMM 13th for communication cable.



ITEM #:	KBLB120
UPC:	784297021961
COUNTRY OF ORIGIN:	China
MATERIAL:	Die-cast Aluminum
TRADE SIZE:	1-1/4"
MASTER CARTON QTY:	20
MASTER WEIGHT:	42.00 lbs.
MASTER HEIGHT:	11.25 in.
MASTER WIDTH:	21.75 in.
MASTER DEPTH:	10.75 in.
INNER CARTON QTY:	N/A
INNER WEIGHT:	N/A
INNER HEIGHT:	N/A
INNER WIDTH:	N/A
INNER DEPTH:	N/A
ITEM WEIGHT:	2.10 lbs.
ITEM HEIGHT (A):	3.78 in.
ITEM WIDTH (B):	10.03 in.
ITEM DEPTH (C):	2.49 in.
TYPE OF INSTALLATION:	New Work/Old Work
CERTIFICATIONS:	CSA US Listed





NOTES

1. MATERIAL: DIE CAST ALUMINUM
2. DIMENSIONS ARE IN INCHES
3. PROTECTED BY US PATENT 6580029 B1

PROPRIETARY & CONFIDENTIAL

THE INFORMATION CONTAINED IN THIS DRAWING IS THE SOLE PROPERTY OF MADISON ELECTRIC PRODUCTS, INC. ANY REPRODUCTION IN PART OR AS A WHOLE WITHOUT THE WRITTEN PERMISSION OF MADISON ELECTRIC PRODUCTS, INC. IS PROHIBITED.



MADISON ELECTRIC
meproducts.net

TITLE:

**SMART LB
1.25" DIE CAST ALUMINUM**

PART NO.

KBLB-120



1-1/4" SMART LB CONDUIT BODY PVC

ITEM#: KBLB121

PRODUCT DESCRIPTION:

2-1/2" PVC Conduit Body

APPLICATION:

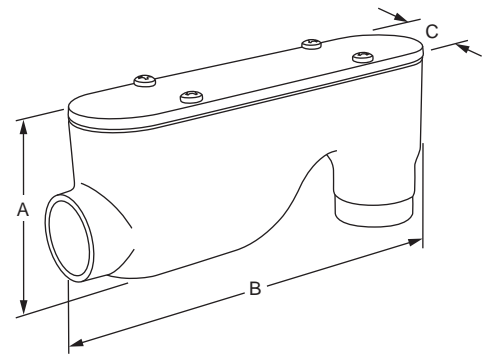
For ease of installation of Optical Fiber Cable

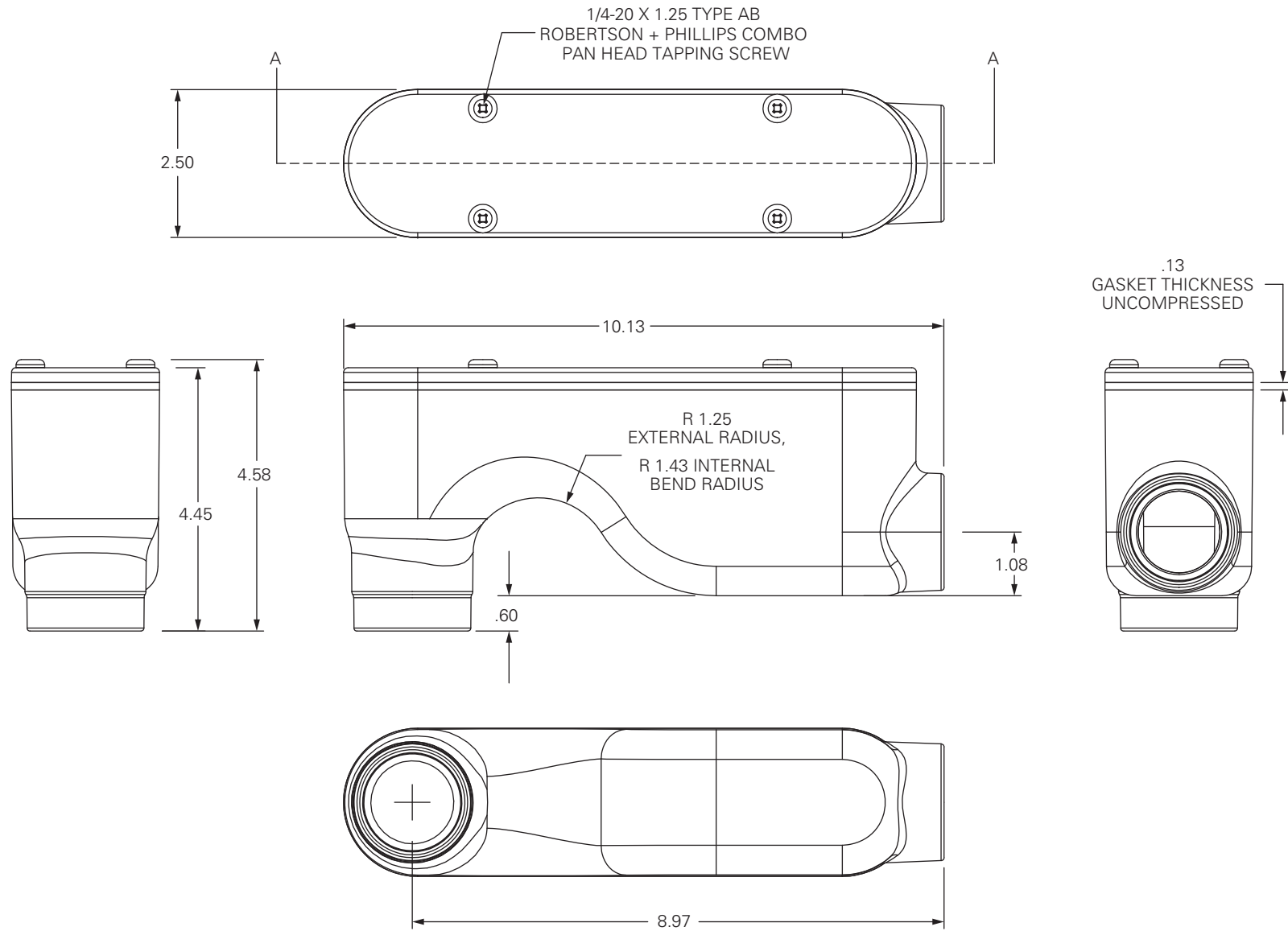
FEATURES:

For use with schedule 40 PVC & schedule 80 PVC conduit & fittings. Suitable for indoor/outdoor (OSP) use. Built in radius helps prevent cables from getting damaged. Includes gasketed cover for wet locations. Meets minimum bend radius of ANSI/TIA/EIA 568 & NECA/FOA. Recommended by BICSI TDMM 13th for communication cable.



ITEM #:	KBLB121
UPC:	784297021978
COUNTRY OF ORIGIN:	USA
MATERIAL:	PVC, foam gaskets
TRADE SIZE:	1-1/4"
MASTER CARTON QTY:	20
MASTER WEIGHT:	25.40 lbs.
MASTER HEIGHT:	10.38 in.
MASTER WIDTH:	22.38 in.
MASTER DEPTH:	12.75 in.
INNER CARTON QTY:	N/A
INNER WEIGHT:	N/A
INNER HEIGHT:	N/A
INNER WIDTH:	N/A
INNER DEPTH:	N/A
ITEM WEIGHT:	1.27 lbs.
ITEM HEIGHT (A):	3.85 in.
ITEM WIDTH (B):	10.13 in.
ITEM DEPTH (C):	2.50 in.
TYPE OF INSTALLATION:	New Work/Old Work
CERTIFICATIONS:	CSA US Listed





NOTES

1. MATERIAL: RIGID PVC
2. DIMENSIONS ARE IN INCHES
3. PROTECTED BY US PATENT 6580029 B1

PROPRIETARY & CONFIDENTIAL
THE INFORMATION CONTAINED IN THIS
DRAWING IS THE SOLE PROPERTY OF MADISON
ELECTRIC PRODUCTS, INC. ANY REPRODUCTION
IN PART OR AS A WHOLE WITHOUT THE
WRITTEN PERMISSION OF MADISON ELECTRIC
PRODUCTS, INC. IS PROHIBITED.

ME MADISON ELECTRIC
meproducts.net

TITLE: **SMART LB
1.25" PVC**

PART NO. **KBLB-121**



2-1/2" SMART LB CONDUIT BODY DIE-CAST ALUMINUM

ITEM#: KBLB250

PRODUCT DESCRIPTION:

2-1/2" Die-cast Aluminum Conduit Body

APPLICATION:

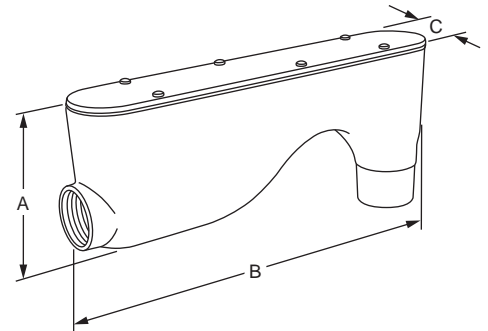
For ease of installation of Optical Fiber Cable

FEATURES:

For use with EMT, IMC, Rigid conduit or LT Flexible conduit & fittings. Suitable for indoor/outdoor (OSP) & plenum use. Built in radius helps prevent cables from getting damaged. Includes gasketed cover for wet locations. Meets minimum bend radius of ANSI/TIA/EIA 568 & NECA/FOA. Recommended by BICSI TDMM 13th for communication cable.



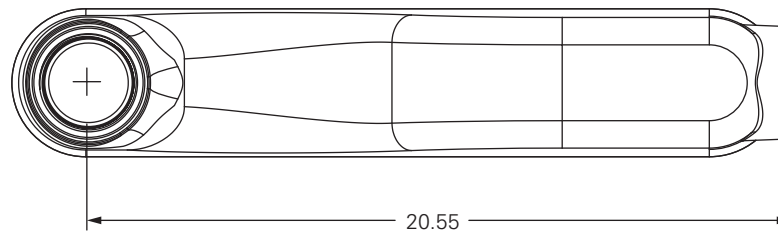
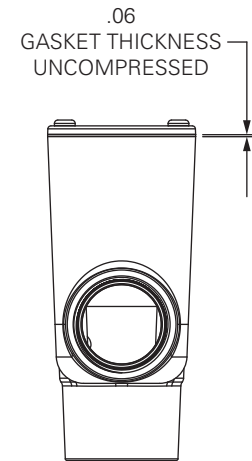
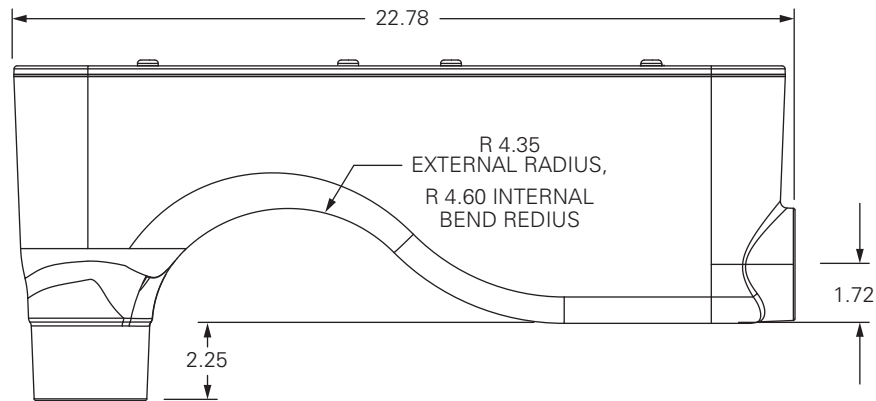
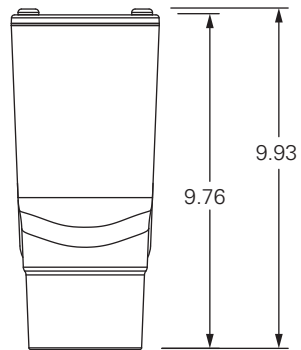
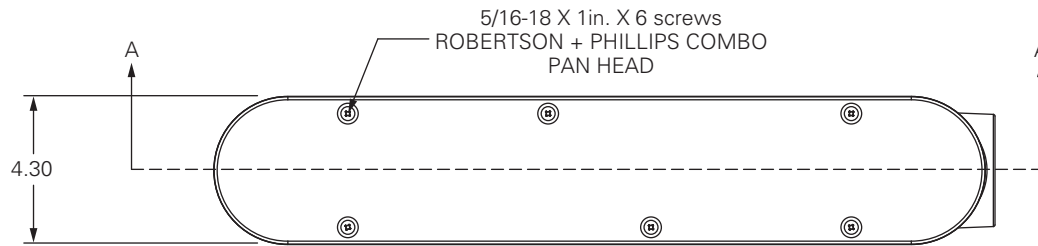
ITEM #:	KBLB250
UPC:	784297021985
COUNTRY OF ORIGIN:	China
MATERIAL:	Die-cast Aluminum
TRADE SIZE:	2-1/2"
MASTER CARTON QTY:	4
MASTER WEIGHT:	56.00 lbs.
MASTER HEIGHT:	23.50 in.
MASTER WIDTH:	20.50 in.
MASTER DEPTH:	10.50 in.
INNER CARTON QTY:	N/A
INNER WEIGHT:	N/A
INNER HEIGHT:	N/A
INNER WIDTH:	N/A
INNER DEPTH:	N/A
ITEM WEIGHT:	14.00 lbs.
ITEM HEIGHT (A):	7.51 in.
ITEM WIDTH (B):	22.78 in.
ITEM DEPTH (C):	4.30 in.
TYPE OF INSTALLATION:	New Work/Old Work
CERTIFICATIONS:	CSA US Listed



sparks
[innovation] CENTER

ME products.net





NOTES

1. MATERIAL: DIE CAST ALUMINUM
2. DIMENSIONS ARE IN INCHES
3. PROTECTED BY US PATENT 6580029 B1

PROPRIETARY & CONFIDENTIAL
THE INFORMATION CONTAINED IN THIS
DRAWING IS THE SOLE PROPERTY OF MADISON
ELECTRIC PRODUCTS, INC. ANY REPRODUCTION
IN PART OR AS A WHOLE WITHOUT THE
WRITTEN PERMISSION OF MADISON ELECTRIC
PRODUCTS, INC. IS PROHIBITED.

ME MADISON ELECTRIC
meproducts.net

TITLE: **SMART LB
2.5" DIE CAST ALUMINUM**

PART NO. **KBLB-250**



2-1/2" SMART LB CONDUIT BODY PVC

ITEM#: KBLB251

PRODUCT DESCRIPTION:

2-1/2" PVC Conduit Body

APPLICATION:

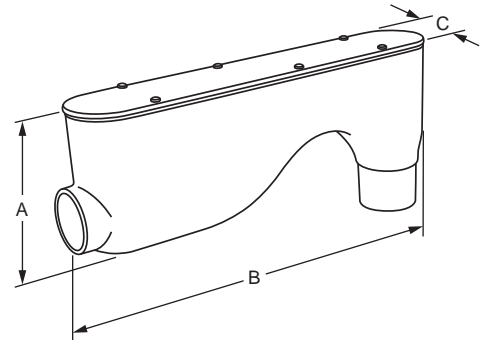
For ease of installation of Optical Fiber Cable

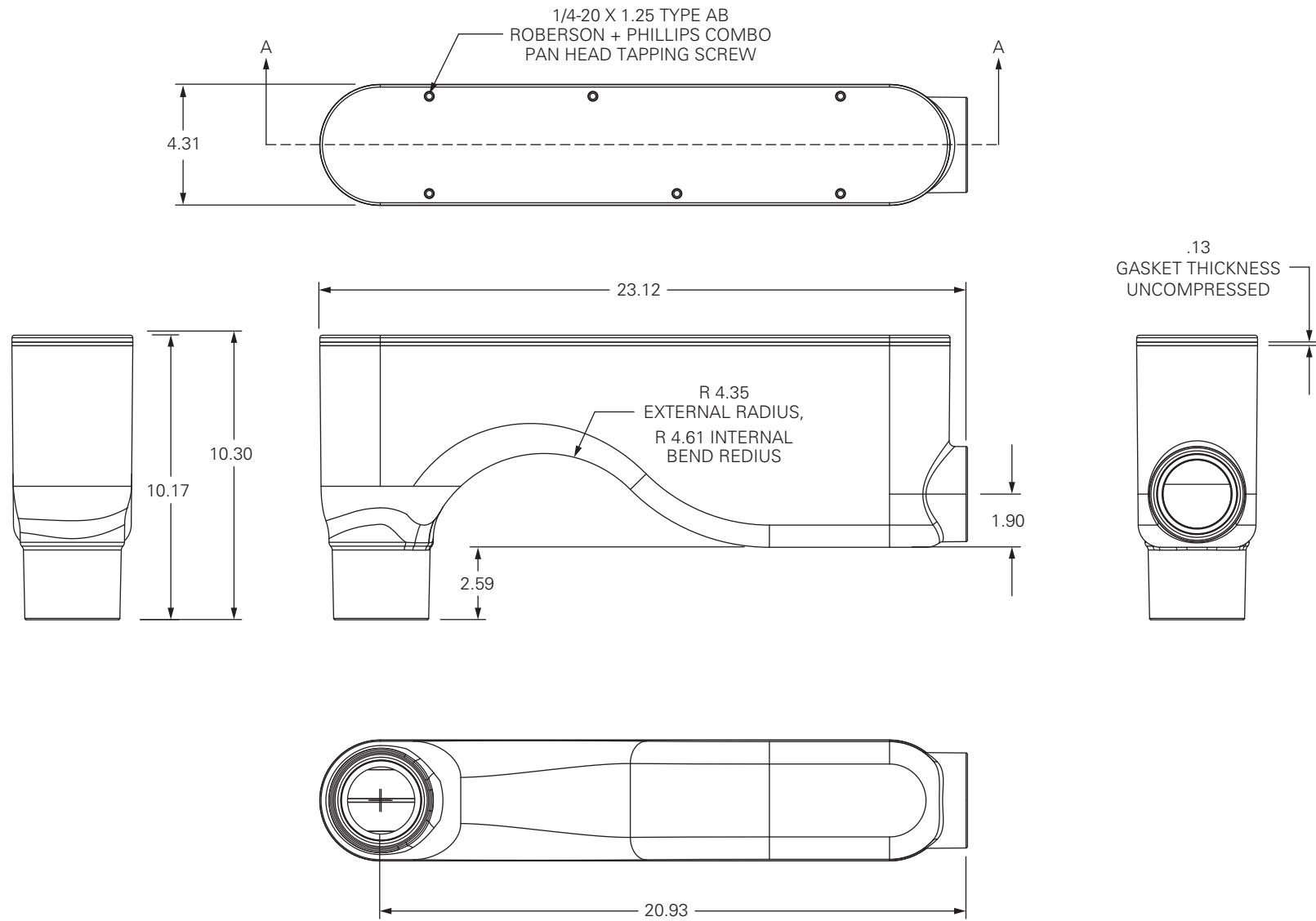
FEATURES:

For use with schedule 40 PVC & schedule 80 PVC conduit & fittings. Suitable for indoor/outdoor (OSP) use. Built in radius helps prevent cables from getting damaged. Includes gasketed cover for wet locations. Meets minimum bend radius of ANSI/TIA/EIA 568 & NECA/FOA. Recommended by BICSI TDMM 13th for communication cable.




ITEM #:	KBLB251
UPC:	784297021992
COUNTRY OF ORIGIN:	USA
MATERIAL:	PVC
TRADE SIZE:	2-1/2"
MASTER CARTON QTY:	4
MASTER WEIGHT:	29.92 lbs.
MASTER HEIGHT:	7.25 in.
MASTER WIDTH:	31.00 in.
MASTER DEPTH:	28.63 in.
INNER CARTON QTY:	N/A
INNER WEIGHT:	N/A
INNER HEIGHT:	N/A
INNER WIDTH:	N/A
INNER DEPTH:	N/A
ITEM WEIGHT:	7.48 lbs.
ITEM HEIGHT (A):	7.58 in.
ITEM WIDTH (B):	23.12 in.
ITEM DEPTH (C):	4.31 in.
TYPE OF INSTALLATION:	New Work
CERTIFICATIONS:	CSA US Listed





- NOTES**
1. MATERIAL: RIGID PVC
 2. DIMENSIONS ARE IN INCHES
 3. PROTECTED BY US PATENT 6580029 B1

PROPRIETARY & CONFIDENTIAL
 THE INFORMATION CONTAINED IN THIS DRAWING IS THE SOLE PROPERTY OF MADISON ELECTRIC PRODUCTS, INC. ANY REPRODUCTION IN PART OR AS A WHOLE WITHOUT THE WRITTEN PERMISSION OF MADISON ELECTRIC PRODUCTS, INC. IS PROHIBITED.

 MADISON ELECTRIC meproducts.net	
TITLE:	SMART LB 2.5" PVC
PART NO.	KBLB-251



4" SMART LB CONDUIT BODY DIE-CAST ALUMINUM

ITEM#: KBLB400

PRODUCT DESCRIPTION:

4" Die-cast Aluminum Conduit Body

APPLICATION:

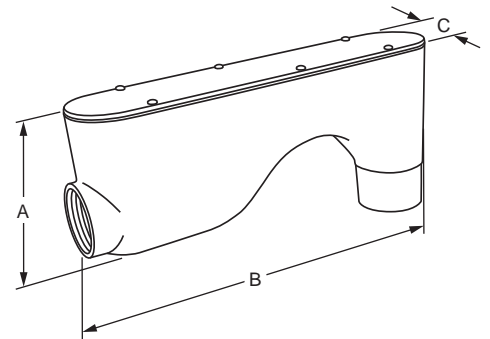
For ease of installation of Optical Fiber Cable

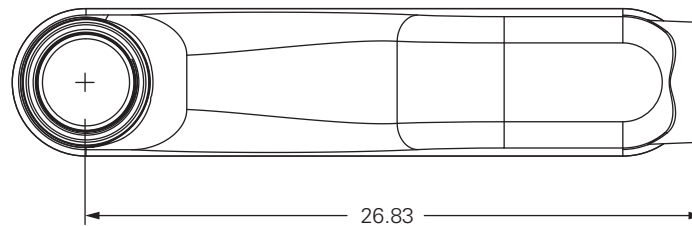
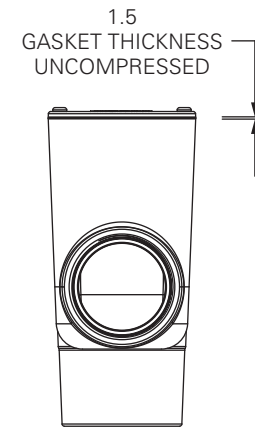
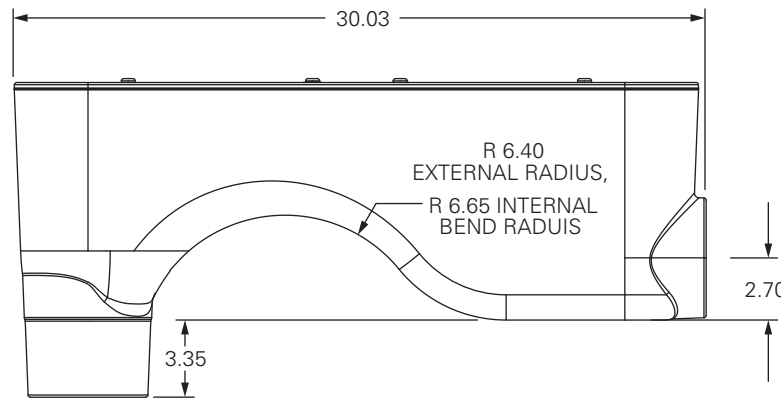
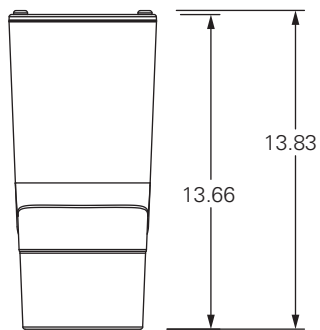
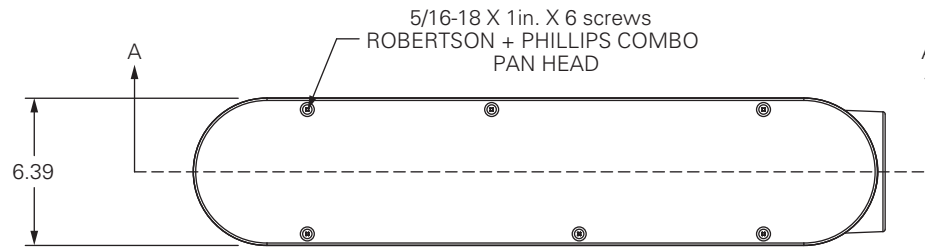
FEATURES:

For use with EMT, IMC, Rigid conduit or LT Flexible conduit & fittings. Suitable for indoor/outdoor (OSP) & plenum use. Built in radius helps prevent cables from getting damaged. Includes gasketed cover for wet locations. Meets minimum bend radius of ANSI/TIA/EIA 568 & NECA/FOA. Recommended by BICSI TDMM 13th for communication cable.



ITEM #:	KBLB400
UPC:	784297022005
COUNTRY OF ORIGIN:	China
MATERIAL:	Die-cast Aluminum
TRADE SIZE:	4"
MASTER CARTON QTY:	2
MASTER WEIGHT:	55.30 lbs.
MASTER HEIGHT:	7.00 in.
MASTER WIDTH:	30.38 in.
MASTER DEPTH:	24.75 in.
INNER CARTON QTY:	N/A
INNER WEIGHT:	N/A
INNER HEIGHT:	N/A
INNER WIDTH:	N/A
INNER DEPTH:	N/A
ITEM WEIGHT:	27.65 lbs.
ITEM HEIGHT (A):	10.31 in.
ITEM WIDTH (B):	30.03 in.
ITEM DEPTH (C):	6.39 in.
TYPE OF INSTALLATION:	New Work/Old Work
CERTIFICATIONS:	CSA US Listed





NOTES

1. MATERIAL: DIE CAST ALUMINUM
2. DIMENSIONS ARE IN INCHES
3. PROTECTED BY US PATENT 6580029 B1

PROPRIETARY & CONFIDENTIAL

THE INFORMATION CONTAINED IN THIS DRAWING IS THE SOLE PROPERTY OF MADISON ELECTRIC PRODUCTS, INC. ANY REPRODUCTION IN PART OR AS A WHOLE WITHOUT THE WRITTEN PERMISSION OF MADISON ELECTRIC PRODUCTS, INC. IS PROHIBITED.



MADISON ELECTRIC
meproducts.net

TITLE:

**SMART LB
4" DIE CAST ALUMINUM**

PART NO.

KBLB-400



4" SMART LB CONDUIT BODY PVC

ITEM#: KBLB401

PRODUCT DESCRIPTION:

4" PVC Conduit Body

APPLICATION:

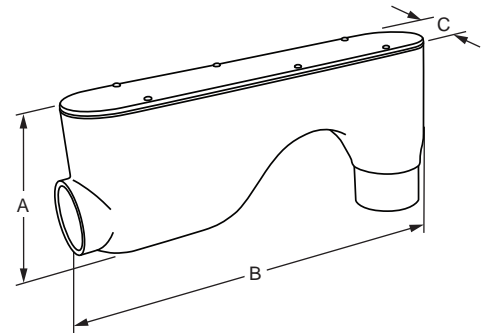
For ease of installation of Optical Fiber Cable

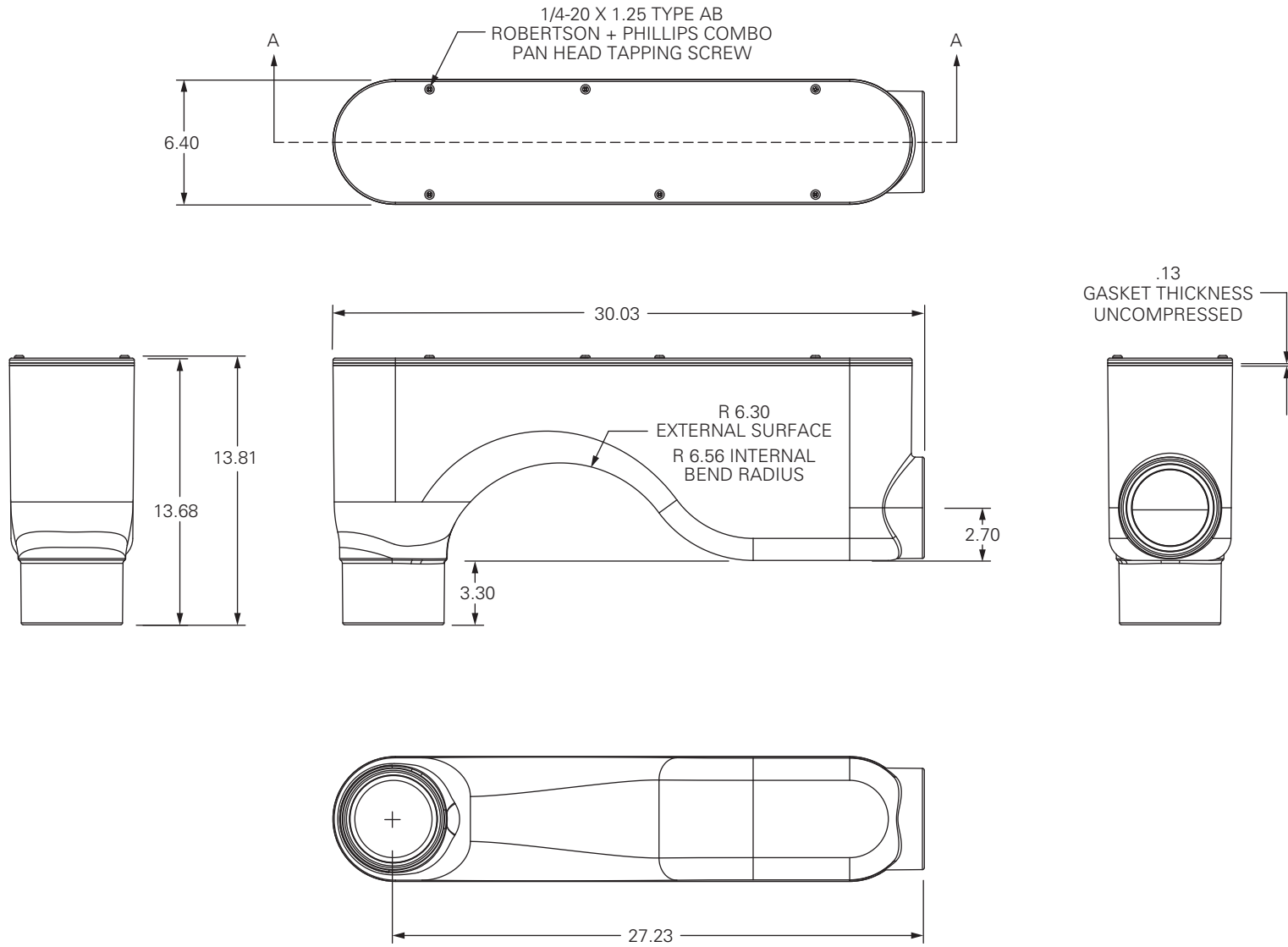
FEATURES:

For use with schedule 40 PVC & schedule 80 PVC conduit & fittings. Suitable for indoor/outdoor (OSP) use. Built in radius helps prevent cables from getting damaged. Includes gasketed cover for wet locations. Meets minimum bend radius of ANSI/TIA/EIA 568 & NECA/FOA. Recommended by BICSI TDMM 13th for communication cable.




ITEM #:	KBLB401
UPC:	784297022012
COUNTRY OF ORIGIN:	USA
MATERIAL:	PVC
TRADE SIZE:	4"
MASTER CARTON QTY:	2
MASTER WEIGHT:	29.20 lbs.
MASTER HEIGHT:	7.25 in.
MASTER WIDTH:	31.00 in.
MASTER DEPTH:	28.63 in.
INNER CARTON QTY:	N/A
INNER WEIGHT:	N/A
INNER HEIGHT:	N/A
INNER WIDTH:	N/A
INNER DEPTH:	N/A
ITEM WEIGHT:	10.38 lbs.
ITEM HEIGHT (A):	13.68 in.
ITEM WIDTH (B):	30.03 in.
ITEM DEPTH (C):	6.40 in.
TYPE OF INSTALLATION:	New Work/Old Work
CERTIFICATIONS:	CSA US Listed





- NOTES**
1. MATERIAL: RIGID PVC
 2. DIMENSIONS ARE IN INCHES
 3. PROTECTED BY US PATENT 6580029 B1

PROPRIETARY & CONFIDENTIAL
 THE INFORMATION CONTAINED IN THIS DRAWING IS THE SOLE PROPERTY OF MADISON ELECTRIC PRODUCTS, INC. ANY REPRODUCTION IN PART OR AS A WHOLE WITHOUT THE WRITTEN PERMISSION OF MADISON ELECTRIC PRODUCTS, INC. IS PROHIBITED.

 MADISON ELECTRIC meproducts.net	
TITLE:	SMART LB 4" PVC
PART NO.	KBLB-401